

# BORMANN®

# Elite

Life in style.



## BBQ1800

080473

EN IT  
EL BG  
RO HR  
PL

v2.2



WWW.NIKOLAOUTOOLS.COM



**WARNING**  
**IMPORTANT NOTICE**

1. For safe and proper operation, use only LPG cylinders intended for domestic use which are equipped with a safety valve. Also, you should connect the low pressure regulator 30mbar (not adjustable) with the valve of the bottle and the special hose for LPG appliances taking care that no leak or damage to the circuit occurs.
2. The threads of the pressure regulator are counterclockwise.
3. Never and under no circumstances should you leave the grill unattended.
4. If a lot of flames are created that do not extinguish by themselves, close the gas bottle. If you let the fire burn then there is a possibility that the paint of the grill will burn. Before each warm-up you should have cleaned the fat collector, the heat dissipators (flame tamers) and the rest of the grill from fats, as they can ignite and destroy the grill.
5. Heat dissipators (flame tamers) must be cleaned after each use as well as the fat collection pan by immersing in hot water with dishwashing liquid. Do not scrape surfaces when they have glued fats because their paint breaks down.
6. In the case of extensive creation of flames caused from fats in the heat dissipators (flame tubes) deterioration in porcelain dye might occur.
7. If the model you purchased has cast-off grills, do not pour cold water when it is still hot as it may break.
8. Do not use caustic liquids or cleaning sprays.
9. Read the instructions carefully!
10. Any damage caused by non-compliance with the above or failure to comply with the necessary regular cleaning will not be covered by the warranty.

**ΠΡΟΣΟΧΗ**  
**ΣΗΜΑΝΤΙΚΗ ΣΗΜΕΙΩΣΗ**

1. Για ασφαλή και ορθή λειτουργία χρησιμοποιείτε μόνο φιάλες υγραερίου που προορίζονται για οικιακή χρήση και οι οποίες είναι εξοπλισμένες με βαλβίδα ασφαλείας. Επίσης, στην βάνα της φιάλης θα πρέπει να συνδέσετε τον ρυθμιστή χαμηλής πίεσης 30mbar (όχι ρυθμιζόμενο) και το ειδικό λάστιχο για συσκευές υγραερίου προσέχοντας να μην υπάρχουν διαρροές ή φθορές στο κύκλωμα.
2. Τα σπειρώματα του ρυθμιστή πίεσης είναι αριστερόστροφα.
3. Ποτέ και σε καμία περίπτωση να μην αφήνετε την ψησταριά χωρίς επίβλεψη.
4. Σε περίπτωση που δημιουργηθούν πολλές φλόγες που δεν σβήνουν θα πρέπει να κλείσετε την βάνα της φιάλης υγραερίου. Αν αφήσετε την φωτιά να καίει τότε υπάρχει ενδεχόμενο να καεί η βαφή της ψησταριάς. Επίσης θα πρέπει πριν από κάθε προθέρμανση να έχετε καθαρίσει τον συλλέκτη λίπους, τους διαχύτες θερμότητας (φλογοκρύπτες) και την υπόλοιπη ψησταριά από λίπη, καθώς μπορεί να αναφλεγούν και να καταστρέψουν την ψησταριά.
5. Οι διαχύτες θερμότητας (φλογοκρύπτες) πρέπει να καθαρίζονται μετά από κάθε χρήση καθώς και το ταψί συλλογής λίπους βυθίζοντας σε ζεστό νερό με υγρό πιάτων. Μην ξύνετε τις επιφάνειες όταν έχουν κολλημένα λίπη γιατί χαλάει η βαφή τους.
6. Σε περίπτωση εκτεταμένης φλόγας από λίπη στους διαχύτες θερμότητας (φλογοκρύπτες) μπορεί να προκληθεί αλλοίωση στην βαφή πορσελάνης.
7. Σε περίπτωση που το μοντέλο που αγοράσατε διαθέτει σχάρες από μαντέμι, μην ρίξετε κρύο νερό όταν είναι ακόμα ζεστές καθώς μπορεί να σπάσουν.
8. Μην χρησιμοποιείτε καυστικά υγρά ή σπρέι καθαρισμού.
9. Διαβάστε προσεκτικά τις οδηγίες χρήσης!
10. Τυχόν βλάβες από μη τήρηση των ανωτέρω ή μη τήρηση του απαραίτητου τακτικού καθαρισμού δεν καλύπτονται από την εγγύηση του κατασκευαστή.



## Safety Instructions

Please save this instruction manual for future reference!  
**THIS GAS GRILL IS DESIGNED FOR OUTDOOR USE ONLY!**

**WARNING: FOR A SAFE AND PROPER OPERATION MAKE SURE TO CONNECT A ONE-WAY PRESSURE REGULATOR (NOT INCLUDED).**

### Important:

**READ ALL INSTRUCTIONS AND OPERATIONS BEFORE OPERATING THIS UNIT. FOLLOW ALL STEPS IN ORDER. NEVER ALLOW CHILDREN TO OPERATE THIS UNIT.**

### Warnings:

Use outdoors only.  
Read the instructions before using the appliance.  
Accessible parts maybe very hot, keep young children away.  
Do not move the appliance during use.  
Turn off the gas supply at the gas cylinder after use.  
Any modification of the appliance may be dangerous.  
Parts sealed by the manufacturer or his agent must not be altered by the user. Do not modify the appliance

### Attention:

Some parts of this appliance become very hot, take special care when children or elderly are present.

### For your safety:

Do not store or use gasoline or methylated fuels or any other flammable vapors and liquids in the vicinity of this or any other appliance.  
Never light a gas grill with gasoline or comparable fluids!  
Suggestion: user should not change the assembly that the manufacturer packaged.

Certain Liquid gas dealers may fill liquid gas cylinders for use in the grill beyond cylinder filling capacity. This "Overfilling" may create a dangerous condition. "Overfilling" tanks can build up excess pressure. As a safety device, the tanks pressure relief valve will vent gas vapour to relieve this excess pressure. This vapour is combustible and therefore can be ignited. To reduce this danger, you should take the following safety precautions:

- A. When you have your tank filled, be sure you tell the supplier to fill it to no more than 80% of its total capacity.
- B. If you own or use an extra spare tank, or have a disconnected tank, you should never store it near or under the grill unit or heat box, or near any other ignition or heat source.

### Dangers:

If you smell gas:

1. Shut off gas to the appliance
2. Extinguish any open flame
3. Open lid
4. If odour continues, keep away from appliance and call your local fire department.

Technical Data	
BBQ1800	
Power	<ul style="list-style-type: none"> <li>➤ 2,5 KW Per Burner</li> <li>➤ Total: 7,5 KW</li> </ul>
Product Dimensions	68x46x24 cm
Packing Dimensions	70x49.5x22 cm
Specific characteristics	3 Burners, Enamel Cooking Plate, Auto Ignition Switches, Grease Collector
Regulator and hose	Not included



Remark: -SB means with side burner; Allow to put a pan on the side burner. (The diameter of pan is Max.  $\Phi$  24cm and Min.  $\times$   $\Phi$ 8cm)

## Mounting steps

Make sure your grill is assembled properly. Detailed assembly instructions are packed with each grill giving specific assembly procedures for each model. Follow these instructions carefully to ensure the correct and safe assembly of the grill.

Caution: Although we take every effort to ensure that the assembly process is as easy as possible, it is inherent with fabricated steel parts that corners and edged can cause cuts if improperly handled during assembly procedures. Be careful while handling any parts during assembly. It is strongly recommended that you protect hands with a pair of work gloves.

## Preparation

You will need LPG gas bottle and proper regulators under the gas pressure to operate this gas grill. The regulators should be comply with EN16129 with current version and national regulation.

See point 6 for farther instructions.

Energy saving tips:

- Reduce the opening time of the lid.
- Turn the grill off as soon as cooking is completed.
- Preheat the gas grill for 10 to 15 minutes only. (Except for the first use)
- Do not preheat longer then recommended.
- Do not use a higher setting than required.
- Connect the hose and regulator to the gas container at the left side of the gas grill .Keeping in mind that the gas container must be kept away from heat and in a safe position .The hose dimension is 8-10mm diameter. The Length of hose recommended which shall not exceed 1.5m. The flexible hose should comply with relevant standard and local code.

## Installation

After purchasing your gas cylinder you will then be ready to set it up with your gas grill.

- When changing the gas cylinder, it shall be carried out away from any source of ignition. Position the gas cylinder at left side of your gas grill, should not be placed inside BBQ, keeping in mind that the bottle must be kept away from heat and in a safe position.
- When ready to use your gas grill insert the regulator into the gas bottle valve and tighten firmly.

Warning: Before attempting to light your gas grill you must refer to your lighting instructions and warning / safety points.

Check the hose before each use, searching for cracking, cuts or any abrasions. If the hose is found to be faulty in any way do not attempt to use your gas grill. When changing your gas bottle ensures that there are no sources of ignition close by i.e. fires, cigarettes, naked flames etc. Make sure that the appliance is switched off.

Ensure that the hose is not subjected to twisting which will affect the gas flow when installing your gas grill. Also the hose must not have undue tension and must not touch any part of the gas grill which may be hot.

- Please choose flexible hose whose heatproof higher than 80 °C.
- Flexible tube should be changed every 2 years. It's necessary to change the flexible tube when the national conditions require it.

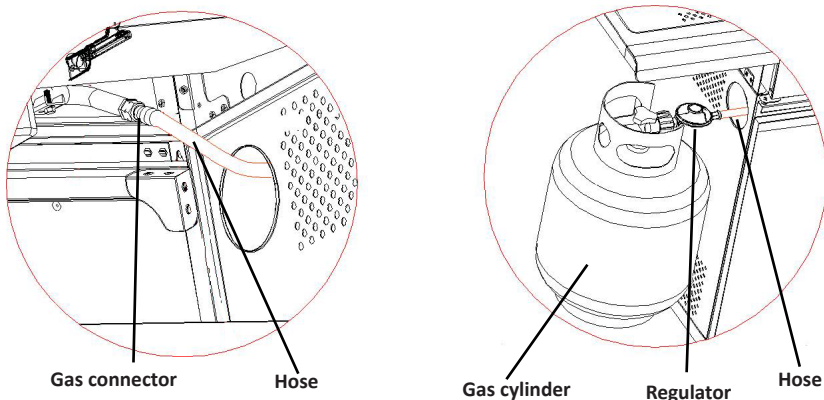
## How to change your cylinder

Note: Turn off the switch of cylinder (No spanner is required)

The height of the gas cylinder is below the 80cm, and the width is within 35cm

## How to connect a gas bottle

- Turn the orange cap so that the arrow is pointing to the gap in the shroud.
- Remove the orange safety cap by pulling the lanyard out, then out. Do not use tools. Leave the cap hanging.
- Check that the black sealing washer is fitted inside the cylinder valve. Connect the regulator to the valve.
- Turn the switch clockwise on gas bottle-then turn on the gas grill as instructed.



\*For the product without gas cylinder compartment only.

Warning: Always test gas line for leaks at connector with soap water finishing all connections.

### How to disconnect a gas bottle

- Except for twin-cylinder installations with a changeover valve, turn off the gas tap if fitted to the appliance. Wait until the burner and pilot light have gone out. For installations with a changeover valve, it is only necessary to switch off the empty cylinder.
- Replace the orange safety cap onto the empty cylinder.

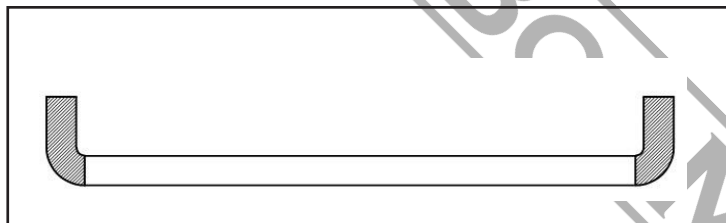
### Warning and safety points

Please read the following points before using your gas grill:

- Read the instructions before using the appliance. If instructions are not followed it may cause problems in use.
- This gas grill accessible parts maybe very hot when being used. Keep young children away. Use protective when handling particularly hot components.
- In the event of a gas leak, Turn off the gas supply at the gas bottle, extinguish any open flames, open lid and if leak continues, check for damages, poor connections etc. Contact your local gas dealer immediately if the problem can't be solved.
- Do not move Gas grill during use.
- Do not use or store any liquids, vapours or other materials in the vicinity when operating the gas grill.
- This gas grill only to be used outdoors.
- Do not use a naked flame to check for gas leaks.
- Do not operate gas grill if there is a gas leak. Turn off the gas supply.
- Do not attempt to disconnect any gas fitting part if your gas grill is being used, on the gas grill or the gas regulator / bottle.
- Care is advised when operating your gas grill, you should never leave unattended when in use. Turn off the gas supply at the gas container after use.
- The gas grill should be cleaned after use. Don't obstruct the fire opening of the container compartment. If the fire opening is obstructed, please use  $\Phi$ 1.6mm round stick to dredge.

Take care not to enlarge burner ports or orifice/nozzle openings when cleaning the burner or valves.

- Do not attempt to use this appliance in a garage or any enclosed area. Also this appliance must be keep away from flammable materials during use, etc. We recommend keeping a distance of at least 0.5 to 1.0 meter clear of any flammable materials.
- We would recommend that this gas grill should be serviced by your local gas retail outlet at least once a year by a competent engineer. Do not attempt to service this appliance yourself.
- Any modification of the appliance may be dangerous. Do not attempt any unauthorized interference of the main controls on this gas grill, i.e. gas taps, injectors, valves etc.



**WARNING: The Handle Black Area (See Above Picture for Reference) Will Become Hot When the Gas grill In Use, BE CAREFUL! Do Not Touch The Black Area.**

### Safety precautions

- Always test gas line for leaks at connector with soapy water after making connections.
- The top lid must always be open when lighting the burner.
- Use oven gloves and sturdy, long handled gas grill tools when cooking on the grill.
- Be prepared if an accident or fire should occur. Know where the first aid kit and fire extinguishers are and know how to use them.
- Keep any electrical supply cord and the fuel supply hose away from any heated surfaces.
- Always cook with great care.
- Do not heat any unopened glass or metal container of food on the grill. Pressure may build up and cause the container to burst, possibly resulting in serious personal injury or damage to the grill.

### Operating instructions

Caution: The lid must be open when lighting the burner!

Do not stand with your face directly over the gas grill when lighting it.

Your gas grill will have following method of ignition:

Pilot Gas Control Ignition (Main burner or main burner with side burner): With all gas controls on the Gas grill in the "OFF" position "OFF", turn the gas cylinder valve to the on position at the regulator. To create a spark you must press the control knob and hold in this position for 3-5 seconds to allow gas flow and then turn anticlockwise to "HIGH". It can spark to the burner lighting tube. You will hear a "snap" from the igniter and you will also see an orange flame coming from the burner lighting tube at the left side of the burner.

Continue to hold the burner control knob in for two seconds after the "snap", this will allow gas to flow completely down the burner tube and insure ignition.

When the burner is alight, adjacent burners will cross light when their controls are turned to "HIGH"

At "High" setting the burner flame should be approximately 12-20mm long with a minimum of orange flame. Turn the gas control fully anticlockwise for minimum setting.

Should you have any difficulty lighting your gas grill following the above steps, contact your dealer for advice.

If the automatic ignition can't be used, please remove the cooking grill and heat diffuser(hotplate ), and turn the valve anticlockwise to 90° to light with BBQ lighter in the distance of 5mm to the burner fire hole. Replace the cooking grill and heat diffuser (hotplate), please wear the fireproof and heat resisting gloves.

Warning : If the burner still does not light ,turn the burner control knob to" OFF" and wait 5 minutes to let the gas clear before lighting again.

## Storage

Your Gas Bottle must be stored outdoors in a well ventilated area and must be disconnected from your gas grill when not being used. Ensure that you are outdoors and away from any sources of ignition before attempting to disconnect your gas bottle from your gas grill.

When you are using your gas grill after a period of storage, please ensure to check for gas leaks and check for any obstructions in the burner etc. before using. Also follow the cleaning instructions to ensure gas grill is safe.

If gas grill is stored outdoors ensure to check that all areas under the front panel are free from any obstructions (insects etc.) This area must be kept free as this may affect the flow of combustion or ventilation air.

## Cleaning instructions

Maintenance is recommended that every 90 days for your gas grill, but it is absolutely necessary to perform maintenance at least once a year. By doing so, you will extend the life of your gas grill.

Your gas grill is easy to clean with minimum effort, just follow these helpful hints for cleaning convenience.

Troubleshooting		
Emergencies	Possible cause	Prevention/ Solution
Gas leaking from cracked / cut / burned hose.	Damaged hose.	Turn off gas at LP tank, if hoses is cut or cracked, replace hose. See LP tank lead test and connection regulator to the LP.
Gas leaking from LP tank valve.	Mechanical failure due to resting or mishandling.	Turn off LP tank valve.
Gas leaking from LP tank valve.	Failure of tank valve from mishandling or mechanical failure	Turn off LP tank valve. Return LP tank to gas supplier
Gas leaking between LP tank and regulator connection	Improper installation, connection not tight, failure of rubber seal	Turn off LP tank valve, remove regulator from cylinder and visually inspect rubber seal for damage, see LP tank test and connection regulator to the LP tank
Fire coming through control panel	Fire in burner tube section of burner due to partial blockage	Turn off control knobs and LP tank valve.  After fire is out and grill is cold, remove burner and inspect for spider nests or rust see natural hazard and cleaning the burner assembly pages.
Grease fire or excessive flames above cooking surface	Too much grease buildup in burner area.	Turn off LP Tank. Leave lid open to allow flames to die down. After cooling, clean food particles and excess grease from inside firebox area, grease cup/pan/tray, and other surfaces
Burner will not light using igniter.	Gas issues	
	1. Trying to light wrong burner	1. See instructions on control panel and section in the Use and Care.
	2. Burner not engaged with control valve	2. Make sure valve are positioned inside of burner tubes.
	3. Obstruction in burner.	3. Ensure burner tubes are not obstructed with spider webs or other
Burner will not light using igniter.	Electrical issues	
	1. Electrode cracked or broken;" sparks at crack."	1. Replace electrode.
	2. Electrode tip not in proper position	2. Tip of electrode should be pointing toward port hole in burner. The distance should be 1/8" to 3/16". Adjust if necessary.
	3. Wire and/or electrode covered with cooking residue.	3. Clean wire and or electrode with rubbing alcohol and clean swab.
4. Wires are loose or disconnected	4. Reconnect wires or replace electrode/wire assembly.	
5. Wires are shorting (sparking) between igniter and electrode.	5. Replace igniter wire	
6. Push button sticks at bottom sparking between igniter and electrode	6. Replace igniter	
		7. Inspect wire insulation and proper connection. Replace wires if insulation is broken.
Burner will not match light	See "gas issues;" on previous page.	1. See "Pilot Gas Control Ignition" section of use and care.
	2. Improper method of match-lighting	

Sudden drop in gas flow or low flame	1. Grease buildup. 2. Excessive fat in meat. 3. Excessive cooking temperature	1. Clean burners and inside of grill / firebox 2. Trim fat from meat before grilling. 3. Adjust (lower) temperature
Flames blow out	High or gusting winds. Low on LP gas. Excess flow valve tripped.	Turn front of grill to face wind or increase flame height. Refill LP tank. Refer to "sudden drop in gas flow" above.
Persistent grease fire	Grease trapped by food buildup around burner system.	Turn knobs to OFF. Turn gas off at LP tank. Leave lid in position and let fire burn out. After grill cools, remove and clean all parts.
Flashback (fire in burner tube(s))	Burner and burner tubes are blocked	Turn knobs to OFF, clean burner and/or burner tubes. See burner cleaning section of use and care manual
Flare-up	1. Grease buildup. 2. Excessive fat in meat. 3. Excessive cooking temperature	1. Clean burners and inside of grill / firebox 2. Trim fat from meat before grilling. 3. Adjust (lower) temperature
Unable to fill LP tank	Some dealers have older fill nozzles with worn threads.	Turn worn nozzles don't have enough "bite" to engage the valve. Try a second LP dealer.
One burner does not light from other burner(s)	Grease buildup or food particles in end of carryover tube	Clean carry-over tube with wire brush

If your problem is not resolved from the information above, please Contact your local gas dealer.

- a) Turn the burner on for 15 to 20 minutes. Ensure appliance is cold before continuing.
- b) Grids should be cleaned periodically by soaking and washing in soapy water.
- c) The interior surfaces of the grill housing cover should also be washed with hot, soapy water. Use a wire brush, steel wool or a scouring pad to remove stubborn spots.
- d) Periodically check the burner to see that it is free from insects and spiders which may clog the gas system, deflecting gas flow. Ensure to clean venturi pipes on burner very carefully, make sure that there are no obstructions. We recommend that you use a pipe cleaner to clean the venturi pipe area.
- e) Any modifications of this appliance may be dangerous and are not permitted.

**Gas grill Safety Hints**

Stand your gas grill on a safe level surface, away from inflammable items such as wooden fences or overhanging tree branches. Never use your gas grill indoors!

Once lit do not move your gas grill or leave it unattended.

Keep children and pets at a safe distance from the gas grill.

Keep a fire extinguisher handy.

The gas grill will become hot when in use, so handle lids etc. with the help of gloves.

Ensure that the appliance has completely cooled down before storing.

Use outdoors only!

Read the instructions before using the gas grill.

Assessable parts may be very hot, Keep young children away!

Do not move the gas grill during using.

Turn off the gas supply at the gas container after use.

Any modification of the appliance may be dangerous and be not permitted.

Maintenance center: please go to the local dealers for production maintenance.

## Οδηγίες Ασφαλείας

Κρατήστε το εγχειρίδιο χρήσης για μελλοντική αναφορά!

Η ψησταριά υγραερίου είναι σχεδιασμένη μόνο για εξωτερική χρήση!

**ΠΡΟΣΟΧΗ: ΓΙΑ ΑΣΦΑΛΗ ΚΑΙ ΟΡΘΗ ΛΕΙΤΟΥΡΓΙΑ ΔΙΑΣΦΑΛΙΣΤΕ ΤΗΝ ΣΥΝΔΕΣΗ ΜΕ ΕΝΑΝ ΡΥΘΜΙΣΤΗ ΠΙΕΣΗΣ ΜΕ ΑΝΤΕΠΙΣΤΡΟΦΗ ΒΑΛΒΙΔΑ ΔΕΝ ΠΕΡΙΛΑΜΒΑΝΕΤΑΙ)**

### ΣΗΜΑΝΤΙΚΟ:

**ΔΙΑΒΑΣΤΕ ΟΛΕΣ ΤΙΣ ΟΔΗΓΙΕΣ ΚΑΙ ΤΙΣ ΔΙΑΔΙΚΑΣΙΕΣ ΠΡΙΝ ΤΗΝ ΛΕΙΤΟΥΡΓΙΑ ΤΗΣ ΜΟΝΑΔΑΣ. ΑΚΟΛΟΥΘΗΣΤΕ ΟΛΑ ΤΑ ΒΗΜΑΤΑ ΜΕ ΤΗΝ ΣΕΙΡΑ. ΜΗΝ ΑΦΗΝΕΤΕ ΠΟΤΕ ΠΑΙΔΙΑ ΝΑ ΛΕΙΤΟΥΡΓΟΥΝ ΤΗΝ ΜΟΝΑΔΑ.**

### Προειδοποιήσεις

Χρησιμοποιείτε την ψησταριά υγραερίου μόνο σε εξωτερικό χώρο.

Διαβάστε τις οδηγίες πριν χρησιμοποιήσετε την συσκευή.

Προσβάσιμα μέρη της ψησταριάς υγραερίου μπορεί να είναι καυτά, κρατήστε τα παιδιά μακριά.

Μην μετακινείτε την ψησταριά υγραερίου κατά την διάρκεια της χρήσης.

Κλείστε την παροχή υγραερίου στην φιάλη υγραερίου μετά την χρήση.

Κάθε μετατροπή της ψησταριάς υγραερίου μπορεί να καταστεί επικίνδυνη.

Εξαρτήματα τα οποία έχουν σφραγιστεί από τον κατασκευαστή ή προμηθευτή αυτού δεν πρέπει να υφίστανται μετατροπή από τον χρήστη. Μην μετατρέπετε με κανένα απολύτως τρόπο την ψησταριά υγραερίου.

### Προσοχή:

Ορισμένα τμήματα της ψησταριάς μπορεί να γίνουν καυτά, προσέχετε ιδιαίτερος όταν βρίσκονται μαζί σας παιδιά ή άτομα μεγάλης ηλικίας.

Για την ασφάλειά σας:

Μην αποθηκεύετε ή χρησιμοποιείτε βενζίνη ή καύσιμα με μεθανόλη ή άλλα καύσιμα αέρια και υγρά στην περιοχή αυτής της συσκευής ή οποιασδήποτε άλλης συσκευής.

Ποτέ μην λειτουργείτε μην ψησταριά υγραερίου με βενζίνη ή άλλα συγκρίσιμα καύσιμα!

Ο χρήστης δεν πρέπει ποτέ να μεταβάλλει το συγκρότημα το οποίο έχει πακετάρει ο κατασκευαστής.

Ορισμένοι προμηθευτές υγραερίου μπορεί να γεμίσουν φιάλες υγραερίου για χρήση στη ψησταριά υγραερίου πέραν της ικανότητας πλήρωσης των φιαλών. Η "υπερπλήρωση" αυτή μπορεί να δημιουργήσει μια δυνητικά επικίνδυνη κατάσταση καθώς η "υπερπλήρωση" φιαλών να μπορεί να προκαλέσει υπέρμετρη πίεση. Ως διάταξη ασφαλείας, η ανακουφιστική βαλβίδα πίεσης των φιαλών απελευθερώνει αέριο σε μορφή ατμών ώστε να περιορίσει την υπερβολική αυτή πίεση. Το αέριο αυτό είναι εύφλεκτο και επομένως μπορεί ενδεχομένως να αναφλεγεί. Προκειμένου να μειώσετε τον κίνδυνο αυτό, θα πρέπει να λάβετε τις ακόλουθες προφυλάξεις ασφαλείας:

A. Όταν πρέπει να γεμίσετε την φιάλη/τις φιάλες σας, βεβαιωθείτε ότι έχετε ενημερώσει τον προμηθευτή σας να την γεμίσει **με όχι περισσότερο από το 80% της συνολικής χωρητικότητάς της.**

B. Εάν κατέχετε ή χρησιμοποιείτε μια επιπλέον εφεδρική φιάλη, ή διαθέτε μια αποσυνδεδεμένη φιάλη, δεν πρέπει ποτέ να την αποθηκεύετε κοντά ή κάτω από τη ψησταριά ή κοντά σε οποιαδήποτε άλλη πηγή θερμότητας που θα μπορούσε να προκαλέσει ανάφλεξη ή έκρηξη.

Εάν ανιχνεύσετε οσμή υγραερίου:

1. Κλείστε την παροχή αερίου στην συσκευή.
2. Σβήστε οποιαδήποτε ανοικτή φλόγα.
3. Ανοίξτε το καπάκι.
4. Εάν η οσμή εξακολουθεί να υπάρχει, απομακρυνθείτε από την ψησταριά και καλέστε το τοπικό τμήμα πυροσβεστικής.

Τεχνικά χαρακτηριστικά	
BBQ1800	
Ισχύς	<ul style="list-style-type: none"> <li>➤ 2,5 KW Ανά Εστία</li> <li>➤ Συνολική Ισχύς: 7,5 Kw</li> </ul>
Διαστάσεις Προϊόντος	68x46x24 cm
Διαστάσεις Συσκευασίας	70x49.5x22 cm
Ειδικά χαρακτηριστικά	3 Εστίες, Εμαγιέ Πλάκα, Πιεζοηλεκτρική Ανάφλεξη, Συλλέκτης για Λίπη
Ρυθμιστής και σωλήνας	Δεν περιλαμβάνονται



## Βήματα συναρμολόγησης

Βεβαιωθείτε ότι η ψησταριά υγραερίου έχει συναρμολογηθεί σωστά. Λεπτομερείς οδηγίες συναρμολόγησης παρέχονται με κάθε ψησταριά οι οποίες περιγράφουν συγκεκριμένες διαδικασίες συναρμολόγησης για κάθε μοντέλο. Ακολουθήστε προσεκτικά αυτές τις οδηγίες ώστε να εξασφαλίσετε τη σωστή και ασφαλή συναρμολόγηση της ψησταριάς υγραερίου. Αν και έχει γίνει κάθε προσπάθεια προκειμένου να εξασφαλιστεί ότι η διαδικασία συναρμολόγησης είναι όσο το δυνατόν απλούστερη, εγγενώς τα κατασκευασμένα τμήματα χάλυβα με γωνίες και ακμές μπορούν ενδεχομένως να προκαλέσουν τραυματισμούς με κακούς χειρισμούς κατά τη διάρκεια των διαδικασιών συναρμολόγησης. Να είστε προσεκτικοί κατά το χειρισμό τυχόν εξαρτημάτων κατά τη διάρκεια της συναρμολόγησης. Συνιστάται ιδιαίτέρως να προστατεύετε τα χέρια σας με ένα ζευγάρι γαντιών εργασίας.

Προετοιμασία: Θα χρειαστείτε φιάλη υγραερίου και τις κατάλληλες ρυθμιστικές βαλβίδες αντεπιστροφής υπό την πίεση του υγραερίου προκειμένου να λειτουργήσετε την ψησταριά υγραερίου. Οι ρυθμιστικές βαλβίδες αντεπιστροφής θα πρέπει να συμμορφώνονται με την τρέχουσα έκδοση του προτύπου EN16129 και τους εθνικούς κανονισμούς.

### Συμβουλές εξοικονόμησης ενέργειας:

- Μειώστε τον χρόνο λειτουργίας με ανοικτό το το καπάκι.
- Σβήστε την ψησταριά υγραερίου μόλις ολοκληρωθεί το ψήσιμο.
- Προθερμάνετε την ψησταριά υγραερίου για 10 έως 15 λεπτά μόνο (εκτός από την πρώτη χρήση).
- Μην προθερμαίνετε περισσότερο από ότι συνιστάται.
- Μην χρησιμοποιείτε υψηλότερη ρύθμιση από την απαιτούμενη.
- Συνδέστε τον σωλήνα και την βαλβίδα αντεπιστροφής στην φιάλη υγραερίου στην αριστερή πλευρά της ψησταριάς, λαμβάνοντας υπόψη ότι η φιάλη υγραερίου πρέπει να φυλάσσεται μακριά από θερμότητα και να βρίσκεται σε ασφαλή σχετικά θέση. Η διάμετρος σωλήνα είναι 8 - 10mm. Το συνιστώμενο μήκος του εύκαμπτου σωλήνα δεν πρέπει να υπερβαίνει το 1,5 m. Ο εύκαμπτος σωλήνας θα πρέπει να συμμορφώνεται με τους σχετικούς τυποποιημένους και εγχώριους κανονισμούς.

## Εγκατάσταση

Αφού αγοράσετε την φιάλη αερίου μπορείτε να την τοποθετήσετε στην ψησταριά αερίου.

- Κατά την αντικατάσταση της φιάλης αερίου, η αντικαθιστώμενη φιάλη πρέπει να μεταφέρεται μακριά από οποιαδήποτε πηγή θερμότητας ή σημείο που μπορεί να προκαλέσει ανάφλεξη. Τοποθετήστε την νέα φιάλη αερίου στην αριστερή πλευρά της ψησταριάς, λαμβάνοντας υπόψη δεν πρέπει να τοποθετηθεί εντός του BBQ, η φιάλη πρέπει να κρατηθεί όσο το δυνατόν μακριά από θερμότητα και σε ασφαλή θέση.
- Όταν είστε έτοιμοι να χρησιμοποιήσετε την ψησταριά υγραερίου τοποθετήστε την βαλβίδα αντεπιστροφής και συσφίξτε προς σταθεροποίηση αυτής.

Προειδοποίηση: Πριν επιχειρήσετε να ανάψετε την ψησταριά, ανατρέξτε με προσοχή τις οδηγίες και στα σημεία προειδοποίησης και ασφάλειας.

Ελέγξτε τον εύκαμπο σωλήνα πριν από κάθε χρήση, ψάχνοντας για επιφανειακές ρωγμές, κοψίματα ή τυχόν εκδορές. Εάν διαπιστωθεί ότι ο εύκαμπτος σωλήνας είναι ελαττωματικός με οποιονδήποτε τρόπο, μην επιχειρήσετε να χρησιμοποιήσετε την ψησταριά υγραερίου. Κατά την αντικατάσταση της φιάλης αερίου βεβαιωθείτε ότι δεν υπάρχουν πηγές ανάφλεξης κοντά, π.χ. φωτιά, τσιγάρα, φλόγα κλπ. Βεβαιωθείτε ότι η συσκευή είναι απενεργοποιημένη. Βεβαιωθείτε ότι ο εύκαμπτος σωλήνας δεν υποβάλλεται σε συστολή που θα επηρεάσει τη ροή του αερίου κατά την εγκατάσταση της ψησταριάς. Επίσης, ο εύκαμπτος σωλήνας δεν πρέπει να υφίσταται αδικαιολόγητη τάση και δεν πρέπει να αγγίζει κανείς κανένα τμήμα της ψησταριάς αερίου που μπορεί να είναι καυτό.

- Επιλέξτε πυρίμαχο εύκαμπο σωλήνα που να αντέχει σε θερμοκρασίες άνω των 80 βαθμών κελσίου.

- Ο εύκαμπτος σωλήνας πρέπει να αντικαθίσταται κάθε 2 έτη. Είναι απαραίτητο να προβαίνετε σε αντικατάσταση του εύκαμπτου σωλήνα (γνωστού και ως λάστιχου αερίου) όταν το απαιτούν οι εθνικοί κανονισμοί και η αντίστοιχη νομοθεσία.

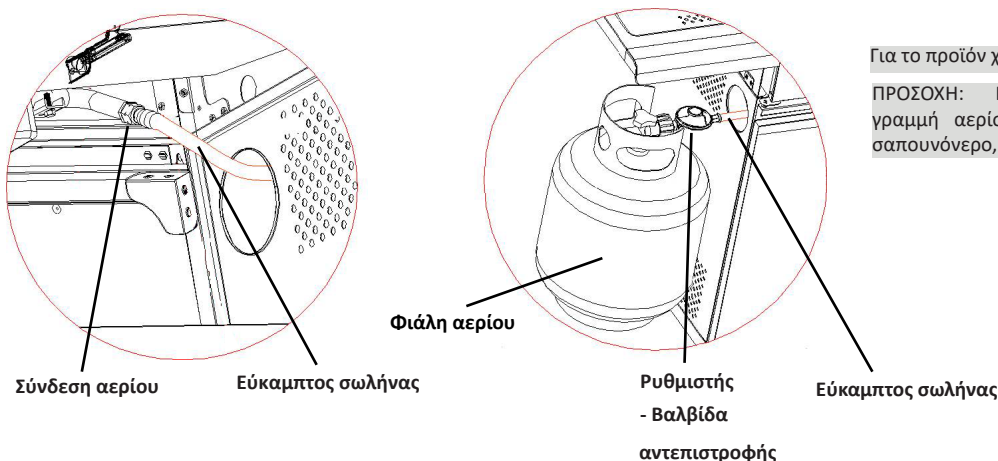
### Αντικατάσταση φιάλης

Κλείστε τον διακόπτη της φιάλης (δεν απαιτείται κλειδί σύσφιξης)

Το ύψος της φιάλης αερίου ανέρχεται σε λιγότερο από 80 cm, και το πλάτος εντός 35 cm.

### Σύνδεση νέας φιάλης αερίου

- Γυρίστε το πορτοκαλί καπάκι έτσι ώστε το βέλος δείχνει προς το κενό στο κάλυμμα.
- Αφαιρέστε το πορτοκαλί καπάκι ασφαλείας τραβώντας το κορδόνι προς τα έξω. Μην χρησιμοποιείτε εργαλεία. Αφήστε το καπάκι να κρέμεται.
- Ελέγξτε ότι η μαύρη ροδέλα σφράγισης είναι τοποθετημένη μέσα στη βαλβίδα φιάλης. Συνδέστε τον ρυθμιστή στην βαλβίδα.
- Γυρίστε το διακόπτη δεξιόστροφα στη φιάλη αερίου και ανάψτε τη ψησταριά αερίου σύμφωνα με τις οδηγίες.



Για το προϊόν χωρίς το τμήμα φιάλης αερίου μόνο

**ΠΡΟΣΟΧΗ:** Πάντοτε να ελέγχετε την γραμμή αερίου για διαρροές σύνδεσης με σαπουνόνερο, εξετάζοντας όλες τις συνδέσεις.

### Πώς να αποσυνδέσετε μια φιάλη αερίου

α. Με εξαίρεση την περίπτωση εγκαταστάσεων δύο φιαλών με μια βαλβίδα αλλαγής, κλείστε τη παροχέτευση αερίου εάν είναι τοποθετημένη στη συσκευή. Περιμένετε μέχρι να σβήσει ο καυστήρας και η πιλότικη φλόγα στο αντίστοιχο εξάρτημα. Για εγκαταστάσεις με βαλβίδα αλλαγής, είναι απαραίτητο μόνο να κλείσετε την άδεια φιάλη.

β. Τοποθετήστε το πορτοκαλί καπάκι ασφαλείας στην άδεια φιάλη.

### Προειδοποιήσεις και θέματα ασφαλείας

Παρακαλούμε διαβάστε τα ακόλουθα σημεία πριν χρησιμοποιήσετε την ψησταριά υγραερίου:

α. Διαβάστε τις οδηγίες πριν χρησιμοποιήσετε την συσκευή αυτή. Εάν δεν ακολουθούνται οι οδηγίες, μπορεί να δημιουργηθούν προβλήματα κατά την χρήση.

β. Τα προσβάσιμα μέρη της ψησταριάς ίσως γίνουν καυτά όταν χρησιμοποιείται. Κρατήστε τα μικρά παιδιά μακριά. Χρησιμοποιείτε αντίστοιχη προστασία όταν χειρίζεστε ιδιαίτερα καυτά εξαρτήματα.

γ. Σε περίπτωση διαρροής αερίου, απενεργοποιήστε την παροχή αερίου στη φιάλη αερίου, σβήστε τυχόν φλόγες, ανοίξτε το καπάκι και αν συνεχιστεί η διαρροή, ελέγξτε για φθορές, κακές συνδέσεις κ.α. Επικοινωνήστε αμέσως με τον αρμόδιο τεχνικό εάν το πρόβλημα δεν μπορεί να επιλυθεί άμεσα.

δ. Μην μετακινείτε τη ψησταριά υγραερίου κατά τη χρήση.

ε. Μην χρησιμοποιείτε ή αποθηκεύετε υγρά, αέρια ή άλλα υλικά στην περιοχή λειτουργίας της ψησταριάς υγραερίου.

στ. Η ψησταριά υγραερίου μπορεί να χρησιμοποιηθεί μόνο σε εξωτερικούς χώρους.

ζ. Μην χρησιμοποιείτε γυμνή φλόγα προκειμένου να ελέγξετε για τυχόν διαρροές υγραερίου.

η. Μην χρησιμοποιείτε την ψησταριά υγραερίου σε περίπτωση διαρροής υγραερίου. Κλείστε την παροχή υγραερίου.

θ. Μην επιχειρήσετε να αποσυνδέσετε οποιοδήποτε εξάρτημα υγραερίου εάν η ψησταριά υγραερίου βρίσκεται σε λειτουργία ή αντίστοιχως τον ρυθμιστή αερίου / φιάλη.

ι) Συνιστάται προσοχή κατά τη λειτουργία της ψησταριάς υγραερίου, δεν πρέπει ποτέ να την αφήνετε χωρίς επίβλεψη όταν την χρησιμοποιείτε.

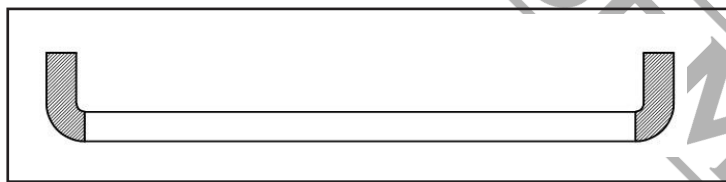
Απενεργοποιήστε την παροχή αερίου στο δοχείο αερίου μετά τη χρήση.

ια) Η ψησταριά υγραερίου πρέπει να καθαρίζεται μετά τη χρήση. Προσέξτε να μην μεγεθύνετε τις θύρες καυστήρα ή τα ανοίγματα ακροφυσίων κατά τον καθαρισμό του καυστήρα ή των βαλβίδων.

ιβ) Μην επιχειρήσετε να χρησιμοποιήσετε αυτή τη συσκευή σε γκαράζ ή σε οποιοδήποτε κλειστό χώρο. Επίσης, αυτή η συσκευή πρέπει να φυλάσσεται μακριά από εύφλεκτα υλικά κατά τη χρήση της. Συνιστούμε να διατηρείτε απόσταση τουλάχιστον 0,5 έως 1,0 μέτρο από τυχόν εύφλεκτα υλικά.

ιγ) Συνιστάται τακτικό σέρβις τουλάχιστον μία φορά το χρόνο από έναν αρμόδιο τεχνικό. Μην επιχειρήσετε να κάνετε σέρβις στην ψησταριά μόνοι σας.

ιδ) Οποιαδήποτε μετατροπή της συσκευής μπορεί να καταστεί επικίνδυνη. Μην επιχειρήσετε καμία μη εξουσιοδοτημένη παρέμβαση στους κύριους μηχανισμούς ελέγχου της ψησταριάς αυτής, π.χ. καλύμματα αερίου, εγχυτήρες, βαλβίδες και τα λοιπά.



**ΠΡΟΣΟΧΗ:** Η ΣΚΟΥΡΑ ΕΠΙΦΑΝΕΙΑ ΤΗΣ ΛΑΒΗΣ (δείτε την διπλανή φωτογραφία) θα γίνει καυτή όταν η ψησταριά υγραερίου τεθεί σε χρήση. Μην ακουμπάτε τις συγκεκριμένες περιοχές της λαβής.

### Προφυλάξεις ασφαλείας

α. Πάντοτε να εξετάζετε τη γραμμή αερίου για διαρροές στα σημεία σύνδεσης με σαπωνώδες νερό αφού πραγματοποιήσετε τις συνδέσεις.

β. Το άνω καπάκι πρέπει πάντα να είναι ανοιχτό όταν ανάβετε την εστία.

γ. Χρησιμοποιήστε γάντια φούρνου και ανθεκτικά, επιμήκη εργαλεία χειρισμού ψησταριάς από απόσταση κατά το ψήσιμο στη σχάρα.

δ. Να είστε προετοιμασμένοι για περίπτωση ατυχήματος ή πυρκαγιάς. Να γνωρίζετε πού είναι το κουτί πρώτων βοηθειών και οι πυροσβεστήρες και να ξέρετε πώς να τα χρησιμοποιήσετε εάν χρειαστεί.

ε. Κρατήστε κάθε καλώδιο ηλεκτρικής τροφοδοσίας και το σωλήνα τροφοδοσίας καυσίμου μακριά από τυχόν θερμαινόμενες επιφάνειες.

στ. Πάντα να χειρίζεστε την ψησταριά κατά την διάρκεια του ψήσιματος με μεγάλη προσοχή.

ζ. Μην θερμαίνετε οποιοδήποτε μη ανοιγμένο γυάλινο ή μεταλλικό δοχείο φαγητού στη σχάρα καθώς η πίεση εντός του μπορεί να αυξηθεί υπέρμετρα και να προκαλέσει την έκρηξη του δοχείου, με ενδεχόμενο αποτέλεσμα έναν σοβαρό τραυματισμό ή το λιγότερο βλάβη στη σχάρα.

η. Μην στέκεστε με το πρόσωπό σας ακριβώς πάνω από την ψησταριά υγραερίου όταν την ανάβετε.

### Οδηγίες Λειτουργίας

Η ψησταριά αερίου έχει την ακόλουθη μέθοδο έναυσης: Με όλα τα κομβία της ψησταριάς υγραερίου στη θέση "OFF", γυρίστε τη βαλβίδα της φιάλης υγραερίου στη θέση ενεργοποίησης "ON". Για να δημιουργήσετε σπινθήρα, πρέπει να πιέσετε το κομβίο ελέγχου (A) και να το κρατήσετε σε αυτή τη θέση για 3-5 δευτερόλεπτα ώστε να επιτρέψετε να λάβει χώρα ροή του υγραερίου και ακολούθως στρίψτε αριστερόστροφα σε ρύθμιση ισχύος "ΥΨΗΛΗ/HIGH" (B). Μπορεί να προκληθεί σπινθήρας στον σωλήνα έναυσης της εστίας (C). Θα ακούσετε έναν χαρακτηριστικό ήχο από τον αναφλεκτήρα και θα δείτε επίσης μια πορτοκαλί φλόγα να πηγάζει από τον σωλήνα έναυσης της εστίας στην αριστερή πλευρά της εστίας (D). Συνεχίστε να πατάτε το κομβίο ελέγχου της εστίας προς τα κάτω / μέσα για δύο δευτερόλεπτα αφού ακούσετε τον χαρακτηριστικό ήχο, ενέργεια που θα επιτρέψει στο υγραέριο να ρεύσει εντελώς προς το κάτω μέρος του σωλήνα της εστίας (E) και συνεπώς να διασφαλιστεί η έναυση. Όταν μια εστία είναι αναμμένη, η φλόγα παρακείμενων εστιών μπορεί να αναμειχθεί με την προκυπτόμενη φλόγα στην εστία αυτή εάν βρίσκονται σε ρύθμιση "ΥΨΗΛΗ/HIGH". Στην ρύθμιση "ΥΨΗΛΗ/HIGH" η φλόγα της εστίας θα πρέπει να έχει μήκος περίπου 12-20 mm με ένα ελάχιστο ύψος πορτοκαλί φλόγας. Στρίψτε το κομβίο ελέγχου υγραερίου πλήρως αριστερόστροφα για μια ρύθμιση στο ελάχιστο. Σε περίπτωση που παρουσιαστεί οποιαδήποτε δυσκολία με το άναμμα της ψησταριάς υγραερίου και εφόσον έχετε ακολουθήσει τα παραπάνω βήματα, επικοινωνήστε με τον αντιπρόσωπό σας για περαιτέρω συμβουλές.

Εάν η αυτόματη έναυση δεν μπορεί να χρησιμοποιηθεί, αφαιρέστε την ψησταριά και τον διαχύτη θερμότητας (εστία), και στρίψτε τη βαλβίδα αριστερόστροφα στους 90°C ώστε να ανάψει με το αναφλεκτήρα BBQ σε απόσταση 5 mm από την εστία καύσης. Αντικαταστήστε την ψησταριά και το διαχύτη θερμότητας (εστία) φορώντας υποχρεωτικά πυρίμαχα και ανθεκτικά στη θερμότητα γάντια.

**ΠΡΟΣΟΧΗ:** Εάν η εστία εξακολουθεί να μην ανάβει, στρίψτε το κομβίου ελέγχου της εστίας στην θέση " OFF" και περιμένετε 5 λεπτά προκειμένου να αφήσετε να καθαρίσει από υγραέριο πριν προσπαθήσετε εκ νέου.

## Αποθήκευση

Η φιάλη αερίου πρέπει να φυλάσσεται σε καλά αεριζόμενους χώρους και πρέπει να αποσυνδέεται από την ψησταριά υγραερίου όταν δεν χρησιμοποιείται. Βεβαιωθείτε ότι βρίσκεστε σε εξωτερικό χώρο και μακριά από οποιοδήποτε πηγές ανάφλεξης πριν επιχειρήσετε να αποσυνδέσετε τη φιάλη αερίου από την ψησταριά υγραερίου. Όταν χρησιμοποιείτε την ψησταριά υγραερίου μετά από μια περίοδο αποθήκευσής της, βεβαιωθείτε ότι έχετε πραγματοποιήσει έλεγχο για διαρροές και ελέγξτε για τυχόν εμπόδια στις εστίες κ.λπ. Επίσης, ακολουθήστε τις οδηγίες καθαρισμού προκειμένου να βεβαιώνεται ότι η ψησταριά υγραερίου είναι ασφαλής. Εάν η ψησταριά υγραερίου αποθηκεύεται σε εξωτερικούς χώρους, βεβαιωθείτε ότι όλοι οι χώροι κάτω από το μπροστινό πλαίσιο είναι απαλλαγμένοι από τυχόν εμπόδια. Η περιοχή αυτή πρέπει να διατηρείται ελεύθερη, καθώς κάθε παρεμπόδιση στο σημείο αυτό μπορεί να επηρεάσει τη ροή του αέρα καύσης ή εξερισμού.

## Οδηγίες καθαρισμού

Συνιστάται συντήρηση κάθε 90 μέρες για την ψησταριά υγραερίου αλλά είναι απολύτως απαραίτητο να την συντηρείτε μια φορά τον χρόνο. Συντηρώντας την ψησταριά σύμφωνα με ό,τι προβλέπεται θα αυξηθεί η διάρκεια ζωής της. Η ψησταριά μπορεί να καθαριστεί εύκολα και με ελάχιστη προσπάθεια, αρκεί να ακολουθήσετε τις τυπικές καθαρισμού.

Επίλυση αναδυόμενων προβλημάτων		
Πρόβλημα	Πιθανή αιτία	Αποτροπή / Επίλυση προβλήματος
Διαρροή υγραερίου από θραυσμένο, κομμένο, καμμένο εύκαμπτο σωλήνα.	Κατεστραμμένος εύκαμπτος σωλήνας.	Κλείστε την παροχή υγραερίου στη φιάλη εάν ο εύκαμπτος σωλήνας είναι κομμένος ή έχει υποστεί ρωγμές και αντικαταστήστε τον εύκαμπτο σωλήνα. Εξετάστε τη σύνδεση του ρυθμιστή (βαλβίδα).
Διαρροή υγραερίου από την φιάλη.	Μηχανική αστοχία λόγω κακού χειρισμού ή αδράνειας.	Κλείστε την βαλβίδα της φιάλης.
Διαρροή υγραερίου από την βαλβίδα φιάλης.	Αστοχία, κακός χειρισμός βαλβίδας φιάλης ή μηχανική αστοχία.	Κλείστε την βαλβίδα της φιάλης. Επιστρέψτε την φιάλη στον προμηθευτή.
Διαρροή υγραερίου μεταξύ της φιάλης υγραερίου και της σύνδεσης ρυθμιστή.	Κακή εγκατάσταση, χαλαρή σύνδεση, αστοχία στεγανοποιητικής διάταξης.	Κλείστε την βαλβίδα της φιάλης, αφαιρέστε τον ρυθμιστή από την φιάλη και ελέγξτε οπτικά την στεγανοποιητική διάταξη για τυχόν ζημιά.
Φωτιά εξέρχεται από τον πίνακα ελέγχου/ χειριστήριο.	Φωτιά στο τμήμα φλογοσωλήνων της ψησταριάς λόγω εν μέρει φραξίματος	Γυρίστε τα κομβία στην θέση off και στρέψτε την βαλβίδα της φιάλης στην θέση κλεισίματος. Αφού σβήσει η φωτιά και η ψησταριά κρυώσει, αφαιρέστε την εστία/τις εστίες και ελέγξτε για την ύπαρξη ιστών/φωλιάς αράχνης ή σκουριάς και λάβετε μέτρα αφαίρεσης αυτών.
Φωτιά στο γράσο ή μεγάλες φλόγες πάνω από την επιφάνεια ψησίματος.	Υπερβολική συγκέντρωση γράσου στα σημεία εστιών/εστίας.	Κλείστε την φιάλη. Αφήστε το καπάκι ανοικτό ώστε να εξασθενήσουν σταδιακά οι φλόγες και τελικά να σβήσουν. Αφού κρυώσει η συσκευή καθαρίστε από συσσωματώματα τροφής και υπέρμετρη ποσότητα γράσου από όλες τις επιφάνειες.
Η εστία δεν ανάβει με την χρήση του αναφλεκτήρα.	Μηχανικά Αίτια (σχετικά με το υγραέριο).	
	1. Προσπαθείτε να ανάψετε λάθος εστία.	1. Δείτε τις οδηγίες στον πίνακα ελέγχου (χειριστήριο).
	2. Η εστία δεν συνεργάζεται με την βαλβίδα ελέγχου.	2. Βεβαιωθείτε ότι οι βαλβίδες είναι τοποθετημένες εντός των φλογοσωλήνων.
	3. Εμπόδιο στην εστία.	3. Βεβαιωθείτε ότι οι φλογοσωλήνες δεν εμποδίζονται από ιστούς αράχνης ή άλλο τυχόν εμπόδιο.
	4. Δεν υπάρχει ροή υγραερίου.	4. Βεβαιωθείτε ότι η φιάλη υγραερίου δεν έχει αδειάσει. Εάν η φιάλη υγραερίου δεν είναι άδεια, εξετάστε για ξαφνική πτώση πίεσης στην ροή του υγραερίου.
Η εστία δεν ανάβει με την χρήση αναφλεκτήρα.	Ηλεκτρικά Αίτια	
	1. Σπασμένο ηλεκτρόδιο, ρωγμή στο ηλεκτρόδιο, σπινθήρες στο σημείο θραύσης. 2. Το άκρο ηλεκτροδίου δεν είναι τοποθετημένο στην κατάλληλη θέση. 3. Καλώδιο ή/και ηλεκτρόδιο καλυμμένο με υπολείμματα μαγειρικής. 4. Τα καλώδια έχουν χαλαρή σύνδεση ή είναι αποσυνδεδεμένα. 5. Το καλώδιο βραχυκυκλώνεται (σπινθηρίζει) μεταξύ του αναφλεκτήρα και του ηλεκτροδίου. 6. Το κομβίο πίεσης κολλάει στην κάτω θέση δημιουργώντας σπινθήρα μεταξύ αναφλεκτήρα και ηλεκτροδίου.	1. Αντικαταστήστε το ηλεκτρόδιο. 2. Το άκρο του ηλεκτροδίου θα πρέπει να κατευθύνεται προς την οπή θύρας στην εστία. Η απόσταση θα πρέπει να είναι 1/8" to 3/16". 3. Καθαρίστε το καλώδιο ή το ηλεκτρόδιο με οινόπνευμα και καθαρό πανάκι. 4. Επανασυνδέστε τα καλώδια ή αντικαταστήστε το συγκρότημα ηλεκτροδίου/καλωδίου. 5. Αντικαταστήστε το καλώδιο αναφλεκτήρα. 6. Αντικαταστήστε τον αναφλεκτήρα και επιθεωρήστε την μόνωση του καλωδίου τις συνδέσεις. Αντικαταστήστε τα καλώδια εάν έχει φθαρεί η μόνωση.

Η εστία δεν ανάβει.	1. Δείτε τα ζητήματα περί υγραερίου στην προηγούμενη σελίδα. 2. Ακατάλληλη μέθοδος έναυσης.	1. Δείτε στο κεφάλαιο χρήσης και φροντίδα το αντίστοιχο εδάφιο "Έλεγχος έναυσης υγραερίου".
Ξαφνική πτώση της ροής υγραερίου ή χαμηλή φλόγα.	1. Υψηλή συγκέντρωση γράσου/λιπαντικού. 2. Υπερβολική ποσότητα λίπους στο κρέας. 3. Υπερβολική θερμοκρασία ψησίματος.	1. Καθαρίστε τις εστίες και το εσωτερικό της ψησταριάς. 2. Περιορίστε το λίπος του κρέατος πριν το ψήσιμο. 3. Μειώστε την θερμοκρασία ψησίματος.
Οι φλόγες ξεφεύγουν από τα συνήθη όρια τους.	1. Δυνατός άνεμος. 2. Χαμηλώστε την παροχή υγραερίου. 3. Απελευθέρωση βαλβίδας έγχυσης περισσειας ροής.	1. Γυρίστε την ψησταριά προς τον άνεμο ή αυξήστε το ύψος φλόγας. 2. Γεμίστε ξανά την φιάλη υγραερίου. 3. Δείτε την ως άνω περίπτωση "απότομη πτώση ροής υγραερίου".
Επίμονη φωτιά λόγω λίπους.	Λίπος έχει παγιδευτεί λόγω υπερσυγκέντρωσης τροφής περί του συστήματος καύσης.	Γυρίστε τα κομβία στην θέση OFF. Κλείστε την παροχή υγραερίου στην φιάλη. Αφήστε το καπάκι στην θέση του αφήστε την φωτιά να σβήσει μόνη της. Όταν κρυώσει η ψησταριά, αφαιρέστε το λίπος και καθαρίστε τα αντίστοιχα τμήματα όπως απαιτείται.
Αναστροφή φλόγας / Φωτιά στους φλογοσωλήνες.	Η εστία και οι φλογοσωλήνες έχουν μπλοκάρει.	Γυρίστε τα κομβία στην θέση OFF, καθαρίστε την εστία και/ή του φλογοσωλήνες. Δείτε επιπροσθέτως το σχετικό εδάφιο περί καθαρισμού.

Εάν το όποιο τυχόν αναδυόμενο τεχνικό πρόβλημα δεν επιλυθεί με τη συνδρομή των ως άνω πληροφοριών, επικοινωνήστε με τον τοπικό προμηθευτή/ αρμόδιο τεχνικό αντιπρόσωπο.

α. Ενεργοποιήστε την/τις εστίες για 15 έως 20 λεπτά. Βεβαιωθείτε ότι η συσκευή δεν καίει υπερβολικά πριν συνεχίσετε.

β. Οι σχάρες πρέπει να καθαρίζονται περιοδικά με εμβάπτιση και πλύσιμο σε σαπουνόνερο.

γ. Οι εσωτερικές επιφάνειες του καλύμματος της ψησταριάς πρέπει επίσης να πλένονται με ζεστό σαπουνόνερο. Χρησιμοποιήστε συρματόβουρτσα, ασαλόσυρμα ή σφουγγάρι λείανσης προκειμένου να αφαιρέσετε τα σημεία με επίμονες ακαθαρσίες.

δ. Ελέγχετε περιοδικά την εστία προκειμένου να διασφαλίζετε ότι δεν υπάρχουν έντομα ή αράχνες τα οποία μπορεί να φράξουν το σύστημα υγραερίου, εκτρέποντας τη ροή του υγραερίου. Βεβαιωθείτε ότι έχετε καθαρίσει τους σωλήνες venturi στην εστία ιδιαίτερώς προσεκτικά και διασφαλίστε ότι δεν υπάρχουν εμπόδια. Σας συνιστούμε να χρησιμοποιήσετε ένα εργαλείο καθαρισμού σωλήνων προκειμένου να καθαρίσετε τους σωλήνες venturi.

ε. Οποιοσδήποτε μετατροπές της συσκευής αυτής μπορεί ενδεχομένως να καταστούν επικίνδυνες και δεν επιτρέπονται σε καμία περίπτωση.

#### Συμβουλές ασφάλειας για την ψησταριά υγραερίου

Τοποθετήστε την ψησταριά υγραερίου σε μια ασφαλή επίπεδη επιφάνεια, μακριά από εύφλεκτα στοιχεία, όπως ξύλινοι φράκτες ή προεξέχοντα κλαδιά δέντρων. Μην χρησιμοποιείτε ποτέ την ψησταριά υγραερίου σε εσωτερικό χώρο. Μόλις ανάψει η ψησταριά μην την μετακινείτε και μην την αφήνετε χωρίς στοιχειώδη επίβλεψη. Κρατήστε τα παιδιά και τα κατοικίδια ζώα σε ασφαλή απόσταση από την ψησταριά υγραερίου.

Να έχετε έναν πυροσβεστήρα σε ετοιμότητα. Η ψησταριά υγραερίου γίνεται καυτή όταν χρησιμοποιείται, συνεπώς να χειρίζεστε τα καπάκια με την συνδρομή γαντιών. Βεβαιωθείτε ότι η ψησταριά υγραερίου έχει κρυώσει εντελώς πριν την αποθηκεύσετε. Χρήση προβλέπεται μόνο σε εξωτερικούς χώρους! Διαβάστε τις οδηγίες πριν χρησιμοποιήσετε την ψησταριά υγραερίου. Συγκεκριμένα τμήματα της ψησταριάς υγραερίου μπορεί να καταστούν ιδιαίτερώς καυτά. Κρατήστε τα μικρά παιδιά μακριά! Μην μετακινείτε τη ψησταριά υγραερίου κατά τη χρήση. Απενεργοποιήστε την παροχή υγραερίου στη φιάλη μετά τη χρήση. Οποιαδήποτε μετατροπή της συσκευής μπορεί να είναι επικίνδυνη και ως εκ τούτου δεν επιτρέπεται. Συντήρηση/Service: να επισκεπτεσθε τον τοπικό προμηθευτή προκειμένου για εργασίες συντήρησης/service.

**ПРЕДУПРЕЖДЕНИЕ**  
**ВАЖНО ИЗВЕСТИЕ**

1. За безопасна и правилна работа използвайте само бутилки за втечен газ, предназначени за домашна употреба, които са оборудвани с предпазен клапан. Също така, трябва да свържете регулатора за ниско налягане 30mbar (нерегулируем) с вентила на бутилката и специалния маркуч за уреди за втечен нефтен газ, като внимавате да не се получи теч или повреда на веригата.
2. Резбата на регулатора на налягането е в посока, обратна на часовниковата стрелка.
3. Никога и при никакви обстоятелства не оставяйте грила без надзор.
4. Ако се появят много пламъци, които не изгасват сами, затворете газовата бутилка. Ако оставите огъня да се разгори, има вероятност боята на скарата да изгори. Преди всяко затопляне трябва да сте почистили колектора за мазнини, топлоразсейвателите (укротителите на пламъка) и останалата част на грила от мазнини, тъй като те могат да се възпламенят и да унищожат грила.
5. Топлинните разсейватели (укротители на пламъка) трябва да се почистват след всяка употреба, както и съда за събиране на мазнини, като се потапят в гореща вода с течност за миене на съдове. Не остъргвайте повърхностите, когато върху тях има залепени мазнини, защото боята им се разрушава.
6. В случай на обширно създаване на пламъци, причинени от мазнини в топлоразпределителите (пламъчни тръби), може да настъпи влошаване на порцелановата боя.
7. Ако моделът, който сте закупили, е с отлята решетка, не наливайте студена вода, когато тя е все още гореща, тъй като може да се счупи.
8. Не използвайте разяждащи течности или почистващи спрейове.
9. Прочетете внимателно инструкциите!
10. Всички повреди, причинени от неспазване на горепосочените изисквания или неспазване на необходимото редовно почистване, не се покриват от гаранцията.

**ATTENZIONE**  
**AVVISO IMPORTANTE**

1. Per un funzionamento sicuro e corretto, utilizzare solo bombole di GPL per uso domestico dotate di valvola di sicurezza. Inoltre, è necessario collegare il regolatore di bassa pressione 30mbar (non regolabile) con la valvola della bombola e il tubo speciale per apparecchi a GPL, facendo attenzione che non si verifichino perdite o danni al circuito.
2. Le filettature del regolatore di pressione sono in senso antiorario.
3. Non lasciare mai e in nessun caso la griglia incustodita.
4. Se si formano molte fiamme che non si spengono da sole, chiudere la bombola del gas. Se si lascia bruciare il fuoco, è possibile che la vernice della griglia si bruci. Prima di ogni riscaldamento è necessario pulire il raccoglitore di grasso, i dissipatori di calore (domatori di fiamma) e il resto della griglia dai grassi, poiché possono incendiarsi e distruggere la griglia.
5. I dissipatori di calore (domatori di fiamme) devono essere puliti dopo ogni utilizzo, così come la vaschetta di raccolta del grasso, immergendola in acqua calda con detersivo per piatti. Non raschiare le superfici su cui sono stati incollati i grassi perché la loro vernice si rompe.
6. In caso di creazione di fiamme estese causate da grassi nei dissipatori di calore (tubi di fiamma), potrebbe verificarsi un deterioramento della tintura porcellanata.
7. Se il modello acquistato è dotato di griglie smontate, non versare acqua fredda quando sono ancora calde, perché potrebbero rompersi.
8. Non utilizzare liquidi caustici o spray detergenti.
9. Leggere attentamente le istruzioni!
10. Eventuali danni causati dall'inosservanza di quanto sopra o dal mancato rispetto della necessaria pulizia periodica non saranno coperti dalla garanzia.

## Istruzioni di sicurezza

Conservare questo manuale di istruzioni per riferimenti futuri!

**QUESTO GRILL A GAS È PROGETTATO ESCLUSIVAMENTE PER L'USO ALL'APERTO!**

**ATTENZIONE: PER UN FUNZIONAMENTO SICURO E CORRETTO, ASSICURARSI DI COLLEGARE UN REGOLATORE DI PRESSIONE UNIDIREZIONALE (NON INCLUSO).**

**Importante:**

**LEGGERE TUTTE LE ISTRUZIONI E LE OPERAZIONI PRIMA DI UTILIZZARE QUESTA UNITÀ. SEGUIRE TUTTI I PASSAGGI IN ORDINE. NON PERMETTERE MAI AI BAMBINI DI UTILIZZARE QUESTA UNITÀ.**

**Avvertenze:**

Utilizzare solo all'aperto.

Leggere le istruzioni prima di utilizzare l'apparecchio. Le parti accessibili possono essere molto calde, tenere lontani i bambini piccoli. Non spostare l'apparecchio durante l'uso.

Chiudere l'alimentazione del gas alla bombola dopo l'uso. Qualsiasi modifica dell'apparecchio può essere pericolosa.

Le parti sigillate dal produttore o dal suo agente non devono essere modificate dall'utente. Non modificare l'apparecchio

**Attenzione:**

Alcune parti di questo apparecchio diventano molto calde; prestare particolare attenzione in presenza di bambini o anziani.

**Per la vostra sicurezza:**

Non conservare o utilizzare benzina o combustibili metilati o altri vapori e liquidi infiammabili in prossimità di questo o di altri apparecchi.

Non accendere mai un grill a gas con benzina o liquidi simili!

Suggerimento: l'utente non deve modificare il gruppo confezionato dal produttore.

Alcuni rivenditori di gas liquido possono riempire le bombole di gas liquido da utilizzare nel grill oltre la capacità di riempimento della bombola. Questo "riempimento eccessivo" può creare una condizione di pericolo. Il "riempimento eccessivo" delle bombole può generare una pressione eccessiva. Come dispositivo di sicurezza, la valvola di sicurezza dei serbatoi sfiata il vapore del gas per alleviare la pressione in eccesso. Questo vapore è combustibile e può quindi prendere fuoco. Per ridurre questo pericolo, è necessario adottare le seguenti precauzioni di sicurezza:

A. Quando fate riempire il serbatoio, assicuratevi di dire al fornitore di riempirlo a non più dell'80% della sua capacità totale.

B. Se si possiede o si utilizza un serbatoio di riserva supplementare, o se si dispone di un serbatoio scollegato, non bisogna mai riporlo vicino o sotto l'unità grill o il box di riscaldamento, o vicino a qualsiasi altra fonte di accensione o di calore.

**Pericoli:**

Se si sente odore di gas:

1. Chiudere il gas all'apparecchio
2. Spegnerne le fiamme libere
3. Coperchio aperto
4. Se l'odore persiste, allontanarsi dall'apparecchio e chiamare i vigili del fuoco.

Dati tecnici	
BBQ1800	
Potenza	<ul style="list-style-type: none"> <li>➤ 2,5 KW per bruciatore</li> <li>➤ Totale: 7,5 KW</li> </ul>
Dimensioni del prodotto	68x46x24 cm
Dimensioni dell'imballaggio	70x49,5x22 cm
Caratteristiche specifiche	3 bruciatori, piastra di cottura smaltata, interruttori di accensione automatica, raccogliore di grasso
Regolatore e tubo flessibile	Non incluso



Nota: -SB significa con bruciatore laterale; consentire l'inserimento di una padella sul bruciatore laterale. (Il diametro della pentola è massimo  $\Phi$  24 cm e minimo  $\Phi$  8 cm).

## Fasi di montaggio

Assicuratevi che il vostro grill sia assemblato correttamente. Nella confezione di ogni grill sono contenute istruzioni dettagliate per il montaggio che indicano le procedure specifiche per ogni modello. Seguire attentamente queste istruzioni per garantire un montaggio corretto e sicuro del grill.

Attenzione: Sebbene ci impegniamo al massimo per garantire che il processo di assemblaggio sia il più semplice possibile, è normale che le parti in acciaio fabbricate possano causare tagli se maneggiate in modo improprio durante le procedure di assemblaggio. Prestare attenzione quando si maneggiano le parti durante l'assemblaggio. Si raccomanda vivamente di proteggere le mani con un paio di guanti da lavoro.

### Preparazione

Per il funzionamento di questo grill a gas è necessario disporre di una bombola di gas GPL e di regolatori adeguati alla pressione del gas. I regolatori devono essere conformi alla norma EN16129 nella versione attuale e alla normativa nazionale.

Per ulteriori istruzioni, vedere il punto 6.

Consigli per il risparmio energetico:

- Ridurre il tempo di apertura del coperchio.
- Spegnere il grill non appena la cottura è terminata.
- Preriscaldare la griglia a gas solo per 10-15 minuti. (tranne che per il primo utilizzo)
- Non preriscaldare più a lungo di quanto raccomandato.
- Non utilizzare un'impostazione più alta del necessario.
- Collegare il tubo e il regolatore al contenitore del gas sul lato sinistro della griglia a gas, tenendo presente che il contenitore del gas deve essere tenuto lontano dal calore e in posizione sicura. La dimensione del tubo è di 8-10 mm di diametro. La lunghezza del tubo flessibile consigliata non deve superare 1,5 m. Il tubo flessibile deve essere conforme alle norme e ai codici locali.

## Installazione

Dopo aver acquistato la bombola di gas, sarete pronti a configurarla con il vostro grill a gas.

- La sostituzione della bombola di gas deve essere effettuata lontano da qualsiasi fonte di accensione. Posizionare la bombola di gas sul lato sinistro del grill a gas, non all'interno del barbecue, tenendo presente che la bombola deve essere tenuta lontana dal calore e in posizione sicura.
- Quando si è pronti a utilizzare il grill a gas, inserire il regolatore nella valvola della bombola del gas e serrare saldamente.

Attenzione: Prima di accendere il grill a gas è necessario consultare le istruzioni per l'accensione e le avvertenze/sicurezza.

Controllare il tubo prima di ogni utilizzo, alla ricerca di crepe, tagli o abrasioni. Se il tubo risulta in qualche modo difettoso, non tentare di utilizzare il grill a gas. Quando si sostituisce la bombola del gas, assicurarsi che non vi siano fonti di accensione nelle vicinanze, ad esempio fuochi, sigarette, fiamme libere, ecc. Assicurarsi che l'apparecchio sia spento.

Durante l'installazione del grill a gas, assicurarsi che il tubo non subisca torsioni che potrebbero compromettere il flusso del gas. Inoltre, il tubo non deve essere sottoposto a tensioni eccessive e non deve toccare alcuna parte del grill a gas che potrebbe essere calda.

- Scegliere un tubo flessibile con resistenza al calore superiore a 80°C.
- Il tubo flessibile deve essere sostituito ogni 2 anni. È necessario sostituire il tubo flessibile quando le condizioni nazionali lo richiedono.

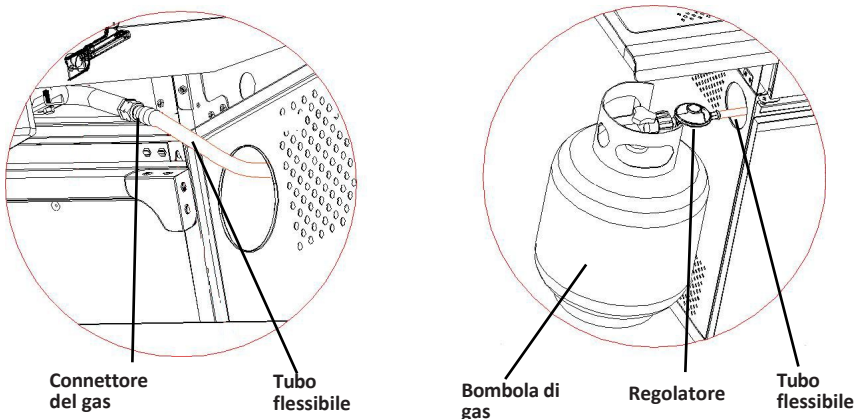
### Come cambiare il cilindro

Nota: spegnere l'interruttore del cilindro (non è necessaria una chiave).

L'altezza della bombola di gas è inferiore a 80 cm e la larghezza non supera i 35 cm.

### Come collegare una bombola di gas

- Ruotare il tappo arancione in modo che la freccia sia rivolta verso la fessura del mantello.
- Rimuovere il cappuccio di sicurezza arancione tirando il cordino e poi fuori. Non utilizzare attrezzi. Lasciare il cappuccio appeso.
- Verificare che la rondella di tenuta nera sia inserita nella valvola della bombola. Collegare il regolatore alla valvola.
- Ruotare l'interruttore in senso orario sulla bombola del gas, quindi accendere il grill a gas come indicato.



\*Solo per il prodotto senza vano per la bombola del gas.

Attenzione: Verificare sempre che la linea del gas non presenti perdite in corrispondenza del connettore, rifinendo tutti i collegamenti con acqua saponata.

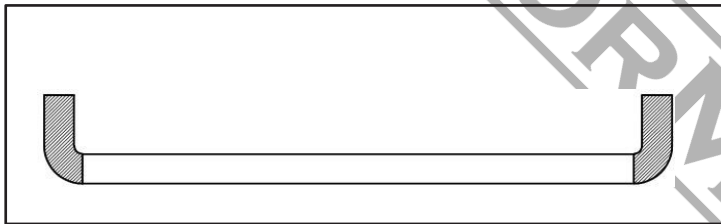
### Come scollegare una bombola di gas

- Ad eccezione delle installazioni bicilindriche con valvola di commutazione, chiudere il rubinetto del gas se presente nell'apparecchio. Attendere che il bruciatore e la fiamma pilota si spengano. Per le installazioni con valvola di commutazione, è necessario spegnere solo la bombola vuota.
- Riposizionare il tappo di sicurezza arancione sulla bombola vuota.

### Avvertenze e punti di sicurezza

Prima di utilizzare il grill a gas, leggere i seguenti punti:

- Leggere le istruzioni prima di utilizzare l'apparecchio. Se le istruzioni non vengono seguite, possono verificarsi problemi durante l'uso.
  - Le parti accessibili di questo grill a gas possono essere molto calde durante l'uso. Tenere lontani i bambini piccoli. Usare protezioni quando si maneggiano componenti particolarmente caldi.
  - In caso di perdita di gas, interrompere l'alimentazione del gas alla bombola, spegnere eventuali fiamme libere, aprire il coperchio e, se la perdita continua, verificare la presenza di danni, collegamenti difettosi ecc. Contattare immediatamente il rivenditore di gas locale se il problema non può essere risolto.
  - Non spostare la griglia a gas durante l'uso.
  - Non utilizzare o conservare liquidi, vapori o altri materiali nelle vicinanze durante il funzionamento del grill a gas.
  - Questo grill a gas deve essere utilizzato solo all'aperto.
  - Non utilizzare una fiamma libera per verificare eventuali perdite di gas.
  - Non utilizzare il grill a gas in caso di perdita di gas. Chiudere l'alimentazione del gas.
  - Non tentare di scollegare alcun componente del raccordo del gas se il grill a gas è in uso, sul grill a gas o sul regolatore/bombola del gas.
  - Si raccomanda di prestare attenzione durante l'uso del grill a gas e di non lasciarlo mai incustodito quando è in funzione. Dopo l'uso, chiudere l'alimentazione del gas dal contenitore.
  - Il grill a gas deve essere pulito dopo l'uso. Non ostruire l'apertura del fuoco del vano contenitore. Se l'apertura del fuoco è ostruita, utilizzare un bastone rotondo di  $\varnothing 1,6$  mm per scavare.
- Durante la pulizia del bruciatore o delle valvole, fare attenzione a non allargare le aperture del bruciatore o degli orifizi/ugelli.
- Non tentare di utilizzare questo apparecchio in un garage o in un'area chiusa. Inoltre, questo apparecchio deve essere tenuto lontano da materiali infiammabili durante l'uso, ecc. Si consiglia di mantenere una distanza di almeno 0,5-1,0 metri da qualsiasi materiale infiammabile.
  - Raccomandiamo che questo grill a gas venga sottoposto a manutenzione da parte di un tecnico competente almeno una volta all'anno presso il punto vendita locale di gas. Non tentare di eseguire la manutenzione dell'apparecchio da soli.
  - Qualsiasi modifica dell'apparecchio può essere pericolosa. Non tentare di interferire con i comandi principali di questo grill a gas, come rubinetti del gas, iniettori, valvole, ecc.



**AVVERTENZA:** L'area nera dell'impugnatura (vedere l'immagine sopra come riferimento) Diventerà caldo quando il grill a gas è in uso, fare attenzione! Non toccare l'area nera.

### Precauzioni di sicurezza

- Verificare sempre l'assenza di perdite sulla linea del gas in corrispondenza del connettore con acqua saponata dopo aver effettuato i collegamenti.
- Il coperchio superiore deve essere sempre aperto quando si accende il bruciatore.
- Quando si cucina sulla griglia, utilizzare guanti da forno e utensili da griglia a gas robusti e con manico lungo.
- Essere preparati in caso di incidente o incendio. Sapere dove si trovano la cassetta di pronto soccorso e gli estintori e sapere come usarli.
- Tenere il cavo di alimentazione elettrica e il tubo di alimentazione del carburante lontano da superfici riscaldate.
- Cucinare sempre con grande attenzione.
- Non riscaldare sulla griglia contenitori di vetro o di metallo non aperti. La pressione potrebbe aumentare e far scoppiare il contenitore, con il rischio di gravi lesioni personali o danni al grill.

### Istruzioni per l'uso

Attenzione: Il coperchio deve essere aperto quando si accende il bruciatore!  
Non posizionarsi con il viso direttamente sopra il grill a gas quando lo si accende.

Il vostro grill a gas avrà il seguente metodo di accensione:

Accensione del comando pilota del gas (bruciatore principale o bruciatore principale con bruciatore laterale): Con tutti i comandi del gas sul grill a gas in posizione "OFF" "OFF", girare la valvola della bombola del gas in posizione "on" sul regolatore. Per creare una scintilla è necessario premere la manopola di controllo (A) e mantenerla in questa posizione per 3-5 secondi per consentire il flusso del gas, quindi ruotarla in senso antiorario su "ALTO" (B). La scintilla può arrivare al tubo di accensione del bruciatore (C). Si sentirà uno "scatto" dell'accenditore e si vedrà anche una fiamma arancione provenire dal tubo di accensione del bruciatore sul lato sinistro del bruciatore (D).

Continuare a tenere premuta la manopola di controllo del bruciatore per due secondi dopo lo "scatto", per consentire al gas di fluire completamente lungo il tubo del bruciatore (E) e garantire l'accensione.

Quando il bruciatore è acceso, i bruciatori adiacenti si accendono trasversalmente quando i loro comandi sono portati su "ALTO".

Con l'impostazione "High" la fiamma del bruciatore deve essere lunga circa 12-20 mm con una fiamma arancione minima. Ruotare completamente il comando del gas in senso antiorario per ottenere l'impostazione minima.

Se si riscontrano difficoltà nell'accensione del grill a gas seguendo i passaggi sopra descritti, rivolgersi al rivenditore per un consiglio.

Se non è possibile utilizzare l'accensione automatica, rimuovere la griglia di cottura e il diffusore di calore (piastra) e ruotare la valvola in senso antiorario a 90°C per accendere con l'accendino BBQ a una distanza di 5 mm dal foro del bruciatore. Sostituire la griglia di cottura e il diffusore di calore (piastra), indossando guanti ignifughi e resistenti al calore.

Attenzione: se il bruciatore continua a non accendersi, ruotare la manopola di controllo del bruciatore su "OFF" e attendere 5 minuti per far uscire il gas prima di riaccenderlo.

## Conservazione

La bombola del gas deve essere conservata all'aperto in un'area ben ventilata e deve essere scollegata dal grill a gas quando non viene utilizzata. Assicurarsi di essere all'aperto e lontano da qualsiasi fonte di accensione prima di tentare di scollegare la bombola di gas dal grill a gas.

Quando si utilizza il grill a gas dopo un periodo di stoccaggio, assicurarsi di controllare eventuali perdite di gas e di verificare la presenza di eventuali ostruzioni nel bruciatore ecc. prima dell'uso. Seguire anche le istruzioni di pulizia per garantire la sicurezza del grill a gas.

Se il grill a gas viene immagazzinato all'aperto, verificare che tutte le aree sotto il pannello frontale siano libere da qualsiasi ostacolo (insetti, ecc.) Questa zona deve essere mantenuta libera in quanto potrebbe influire sul flusso dell'aria di combustione o di ventilazione.

## Istruzioni per la pulizia

La manutenzione è consigliata ogni 90 giorni per il vostro grill a gas, ma è assolutamente necessario eseguirla almeno una volta all'anno. Così facendo, prolungherete la vita del vostro grill a gas.

Il vostro grill a gas è facile da pulire con il minimo sforzo, basta seguire questi suggerimenti utili per la pulizia.

Risoluzione dei problemi		
Emergenze	Possibile causa	Prevenzione/Soluzione
Perdita di gas dal tubo flessibile incrinato / tagliato / bruciato.	Tubo flessibile danneggiato.	Spegnere il gas al serbatoio LP, se il tubo è tagliato o incrinato, sostituirlo. Vedere il test del cavo del serbatoio LP e il collegamento del regolatore all'LP.
Perdita di gas dalla valvola del serbatoio LP.	Guasto meccanico dovuto al riposo o alla manipolazione errata.	Chiudere la valvola del serbatoio LP.
Perdita di gas dalla valvola del serbatoio LP.	Guasto o valvola del serbatoio a causa di una manipolazione errata o di un guasto meccanico	Chiudere la valvola del serbatoio LP. Restituire il serbatoio LP al fornitore di gas
Perdita di gas tra il serbatoio LP e l'attacco del regolatore	Installazione non corretta, collegamento non a tenuta, guasto della guarnizione in gomma	Chiudere la valvola del serbatoio LP, rimuovere il regolatore dalla bombola e controllare visivamente che la guarnizione di gomma non sia danneggiata, vedi test del serbatoio LP e collegamento del regolatore al serbatoio LP.
Fuoco proveniente dal pannello di controllo	Incendio nella sezione del tubo del bruciatore a causa di un'ostruzione parziale	Spegnere le manopole di controllo e la valvola del serbatoio LP.  Dopo che il fuoco è stato spento e la griglia è fredda, rimuovere il bruciatore e controllare che non vi siano nidi di ragno o ruggine, vedere le pagine relative ai rischi naturali e alla pulizia del gruppo bruciatore.
Incendio di grasso o fiamme eccessive sopra il piano di cottura	Troppi accumuli di grasso nella zona del bruciatore.	Spegnere il serbatoio LP. Lasciare il coperchio aperto per consentire alle fiamme di spegnersi. Dopo il raffreddamento, pulire le particelle di cibo e il grasso in eccesso dall'area interna del focolare, dalla vaschetta/padella/vaschetta per il grasso e da altre superfici.
Il bruciatore non si accende con l'accenditore.	Problemi di gas	
	1. Tentativo di accensione del bruciatore sbagliato	1. Vedere le istruzioni sul pannello di controllo e la sezione Uso e cura.
	2. Il bruciatore non è agganciato alla valvola di controllo	2. Assicurarsi che la valvola sia posizionata all'interno dei tubi del bruciatore.
	3. Ostruzione del bruciatore.	3. Assicurarsi che i tubi del bruciatore non siano ostruiti da ragnatele o da altre
	4. Nessun flusso di gas	4. Assicurarsi che il serbatoio LP non sia vuoto. Se il serbatoio LP non è vuoto, fare riferimento al calo improvviso del flusso di gas.
Il bruciatore non si accende con l'accenditore.	Problemi elettrici	

	<ol style="list-style-type: none"> <li>1. Elettrodo incrinato o rotto;" scintille sulla crepa".</li> <li>2. La punta dell'elettrodo non è in posizione corretta</li> <li>3. Filo e/o elettrodo coperto di cottura residuo.</li> <li>4. I fili sono allentati o scollegati</li> <li>5. I fili sono in cortocircuito (scintilla) tra l'accenditore e l'impianto di accensione. e l'elettrodo.</li> <li>6. Il pulsante si blocca in basso provocando una scintilla tra l'accenditore e l'elettrodo</li> </ol>	<ol style="list-style-type: none"> <li>1. Sostituire l'elettrodo.</li> <li>2. La punta dell'elettrodo deve essere rivolta verso il foro del bruciatore. La distanza deve essere compresa tra 1/8" e 3/16". Regolare se necessario.</li> <li>3. Pulire il filo e o l'elettrodo con alcool e un tampone pulito.</li> <li>4. Ricollegare i fili o sostituire il gruppo elettrodo/filo.</li> <li>5. Sostituire il filo dell'accenditore</li> <li>6. Sostituire l'accenditore</li> <li>7. Controllare l'isolamento dei fili e il loro corretto collegamento. Sostituire i fili se l'isolamento è rotto.</li> </ol>
Il bruciatore non si accende	<ol style="list-style-type: none"> <li>1. Vedere "Problemi di gas" alla pagina precedente.</li> <li>2. Metodo improprio di accensione dei fiammiferi</li> </ol>	<ol style="list-style-type: none"> <li>1. Vedere la sezione "Controllo dell'accensione del gas pilota" dell'uso e della manutenzione. cura.</li> </ol>
Improvviso calo del flusso di gas o fiamma bassa	<ol style="list-style-type: none"> <li>1. Accumulo di grasso.</li> <li>2. Eccesso di grassi nella carne.</li> <li>3. Temperatura di cottura eccessiva</li> </ol>	<ol style="list-style-type: none"> <li>1. Pulire i bruciatori e l'interno della griglia / del focolare</li> <li>2. Eliminare il grasso dalla carne prima di grigliarla.</li> <li>3. Regolare (abbassare) la temperatura</li> </ol>
Le Fiamme fanno saltare in aria	Vento forte o a raffiche. Scarsa disponibilità di gas LP. È intervenuta la valvola di eccesso di flusso.	<p>Ruotare la parte anteriore della griglia per affrontare il vento o aumentare l'altezza della fiamma.</p> <p>Riempire il serbatoio LP.</p> <p>Fare riferimento a "improvviso calo del flusso di gas" di cui sopra.</p>
Incendio persistente di grasso	Grasso intrappolato da accumuli di cibo intorno al sistema del bruciatore.	Girare le manopole su OFF. Chiudere il gas al serbatoio LP. Lasciare il coperchio in posizione e lasciare che il fuoco si spenga. Dopo il raffreddamento del grill, rimuovere e pulire tutte le parti.
Ritorno di fiamma (incendio nei tubi del bruciatore)	Il bruciatore e i tubi del bruciatore sono bloccati	Girare le manopole su OFF, pulire il bruciatore e/o i tubi del bruciatore. Vedere la sezione "Pulizia del bruciatore" del manuale d'uso e manutenzione.
Riaccensione	<ol style="list-style-type: none"> <li>1. Accumulo di grasso.</li> <li>2. Eccesso di grassi nella carne.</li> <li>3. Temperatura di cottura eccessiva</li> </ol>	<ol style="list-style-type: none"> <li>1. Pulire i bruciatori e l'interno della griglia / del focolare</li> <li>2. Eliminare il grasso dalla carne prima di grigliarla.</li> <li>3. Regolare (abbassare) la temperatura</li> </ol>
Impossibile riempire il serbatoio LP	Alcuni concessionari hanno ugelli di riempimento più vecchi e usurati fili.	Gli ugelli usurati non hanno abbastanza "mordente" per agganciare la valvola. Provare con un secondo rivenditore LP.
Un bruciatore non si accende rispetto agli altri bruciatori	Accumulo di grasso o particelle di cibo all'estremità del tubo di trasporto	Pulire il tubo di riporto con una spazzola metallica

Se il problema non si risolve con le informazioni di cui sopra, contattare il rivenditore di gas locale.

a) Accendere il bruciatore per 15-20 minuti. Assicurarsi che l'apparecchio sia freddo prima di continuare.

b) Le griglie devono essere pulite periodicamente immergendole e lavandole in acqua e sapone.

c) Anche le superfici interne del coperchio dell'alloggiamento della griglia devono essere lavate con acqua calda e sapone. Per rimuovere le macchie più ostinate, utilizzare una spazzola metallica, lana d'acciaio o un tampone abrasivo.

d) Controllare periodicamente che il bruciatore sia libero da insetti e ragni che possono intasare il sistema del gas, deviando il flusso del gas. Pulire accuratamente i tubi di Venturi del bruciatore e assicurarsi che non vi siano ostruzioni. Si consiglia di utilizzare uno scovolino per pulire l'area del tubo di Venturi.

e) Qualsiasi modifica a questo apparecchio può essere pericolosa e non è consentita.

#### Suggerimenti per la sicurezza del grill a gas

Posizionate il grill a gas su una superficie piana e sicura, lontano da elementi infiammabili come recinzioni in legno o rami di alberi sporgenti. Non utilizzare mai il grill a gas in ambienti chiusi!

Una volta acceso, non spostare il grill a gas e non lasciarlo incustodito. Tenete bambini e animali domestici a distanza di sicurezza dal grill a gas. Tenete a portata di mano un estintore.

Il grill a gas si surriscalda durante l'uso, quindi maneggiare i coperchi ecc. con l'aiuto di guanti. Assicurarsi che l'apparecchio si sia completamente raffreddato prima di riporlo.

Utilizzare solo all'aperto!

Leggere le istruzioni prima di utilizzare il grill a gas.

Le parti valutabili possono essere molto calde, tenere lontani i

bambini piccoli! Non spostare il grill a gas durante l'uso.

Dopo l'uso, chiudere l'alimentazione del gas sul contenitore.

Qualsiasi modifica dell'apparecchio può essere pericolosa e non è consentita. Centro di manutenzione: rivolgersi ai rivenditori locali per la manutenzione della produzione.



## Инструкции за безопасност

Моля, запазете това ръководство за употреба за бъдещи справки!  
ТОЗИ ГАЗОВ ГРИЛ Е ПРЕДНАЗНАЧЕН ЗА ИЗПОЛЗВАНЕ САМО НА ОТКРИТО!

**ПРЕДУПРЕЖДЕНИЕ: ЗА БЕЗОПАСНА И ПРАВИЛНА РАБОТА СЕ УВЕРЕТЕ, ЧЕ СТЕ СВЪРЗАЛИ ЕДНОПОСОЧЕН РЕГУЛАТОР НА НАЛЯГАНЕТО (НЕ Е ВКЛЮЧЕН В КОМПЛЕКТА).**

**Важно:**  
**ПРОЧЕТЕТЕ ВСИЧКИ ИНСТРУКЦИИ И ОПЕРАЦИИ, ПРЕДИ ДА ЗАПОЧНЕТЕ РАБОТА С ТОЗИ УРЕД. СЛЕДВАЙТЕ ВСИЧКИ СЪПКИ В ПОСЛЕДОВАТЕЛНОСТ. НИКОГА НЕ ПОЗВОЛЯВАЙТЕ НА ДЕЦА ДА РАБОТЯТ С ТОЗИ УРЕД.**

### Предупреждения:

Използвайте само на открито.

Прочетете инструкциите, преди да използвате уреда.

Достъпните части може да са много горещи, пазете малки деца далеч от тях. Не премествайте уреда по време на употреба.

След употреба изключете подаването на газ от газовата бутилка. Всяка модификация на уреда може да бъде опасна.

Частите, запечатани от производителя или негов представител, не трябва да бъдат променяни от потребителя. Не модифицирайте уреда

### Внимание:

Някои части на уреда стават много горещи, внимавайте особено, когато има деца или възрастни хора.

### За вашата безопасност:

Не съхранявайте и не използвайте бензин, метилирани горива или други запалими пари и течности в близост до този или друг уред.

Никога не запалвайте газовия грил с бензин или подобни течности!

Предложение: потребителят не бива да променя сглобката, която е опакована от производителя.

Някои търговци на течен газ могат да пълнят бутилки с течен газ за използване в грила над капацитета за пълнене на бутилките. Това "препълване" може да създаде опасно състояние. "Препълването" на резервоарите може да доведе до натрупване на свръхналягане. Като предпазно устройство, предпазният клапан на резервоарите изпуска газови пари, за да намали това свръхналягане. Тази пара е горима и следователно може да се възпламени. За да намалите тази опасност, трябва да вземете следните предпазни мерки:

A. Когато зареждате резервоара си, не забравяйте да кажете на доставчика да го напълни до не повече от 80% от общата му вместимост.

B. Ако притежавате или използвате допълнителен резервоар или имате изключен резервоар, никога не трябва да го съхранявате в близост до или под грила или нагревателната кутия, или в близост до друг източник на запалване или топлина.

### Опасности:

Ако усетите мирис на газ:

1. Изключете газта към уреда
2. Погасете всеки открит пламък
3. Отворен капак
4. Ако миризмата продължава да се усеща, дръжте се далеч от уреда и се обадете на местната пожарна служба.

Технически данни	
BVQ1800	
Захранване	<ul style="list-style-type: none"> <li>➤ 2,5 KW на горелка</li> <li>➤ Общо: 7,5 KW</li> </ul>
Размери на продукта	68x46x24 cm
Размери на опаковката	70x49,5x22 cm
Специфични характеристики	3 горелки, емайлирана плоча за готвене, превключватели за автоматично запалване, колектор за мазнина
Регулатор и маркуч	Не е включена



Забележка: -Позволява да се постави тиган върху страничната горелка. (Диаметърът на тигана е макс. 24 см и мин. х 8 см)

## Стъпки за монтиране

Уверете се, че грилът е сглобен правилно. Към всеки грил са приложени подробни инструкции за сглобяване, в които са описани конкретните процедури за сглобяване за всеки модел. Следвайте внимателно тези инструкции, за да гарантирате правилното и безопасно сглобяване на грила.

Внимание: Въпреки че полагаме всички усилия, за да гарантираме, че процесът на сглобяване е възможно най-лесен, за изработените стоманени части е присъщо, че ъглите и ръбовете могат да причинят порязвания при неправилно боравене с тях по време на монтажните процедури. Бъдете внимателни, докато боравите с всички части по време на монтажа. Силно препоръчително е да защитите ръцете си с чифт работни ръкавици.

### Подготовка

За да работите с този газов грил, се нуждаете от газова бутилка за втечен нефтен газ и подходящи регулатори за налягането на газа. Регулаторите трябва да отговарят на изискванията на EN16129 в актуалната му версия и на националното законодателство.

Вижте точка 6 за допълнителни инструкции.

Съвети за пестене на енергия:

- Намалете времето за отваряне на капака.
- Изключете грила веднага след приключване на готвенето.
- Загрейте газовия грил само за 10 до 15 минути. (С изключение на първото използване)
- Не нагрявайте по-дълго от препоръчаното.
- Не използвайте по-висока настройка от необходимата.
- Свържете маркуча и регулатора към газовия контейнер от лявата страна на газовия грил. Имайте предвид, че газовият контейнер трябва да се държи далеч от топлина и на безопасно място. Размерите на маркуча са с диаметър 8-10 мм. Препоръчителната дължина на маркуча не трябва да надвишава 1,5 м. Гъвкавият маркуч трябва да отговаря на изискванията на съответния стандарт и местния правилник.

## Инсталация

След като закупите газовата бутилка, ще можете да я настроите с газовия си грил.

а) При смяна на газовата бутилка тя трябва да се извършва далеч от всякакви източници на запалване. Разположете газовата бутилка от лявата страна на газовия грил, не трябва да се поставя вътре в барбекюто, като имате предвид, че бутилката трябва да се държи далеч от топлина и на безопасно място.

б) Когато сте готови да използвате газовия си грил, поставете регулатора във вентила на газовата бутилка и го затегнете здраво.

Предупреждение: Преди да се опитате да запалите газовия си грил, трябва да се запознаете с инструкциите за запалване и предупредителните/безопасните точки.

Преди всяка употреба проверявайте маркуча за напукване, порязвания или ожулвания. Ако маркучът е повреден по какъвто и да е начин, не се опитвайте да използвате газовия си грил. Когато смените газовата бутилка, уверете се, че в близост няма източници на запалване, т.е. огънове, цигари, открит огън и др. Уверете се, че уредът е изключен.

Уверете се, че маркучът не е усукан, което ще повлияе на газовия поток при монтажа на газовия грил. Освен това маркучът не трябва да е прекалено опънат и не трябва да се допира до някоя част на газовия грил, която може да е гореща.

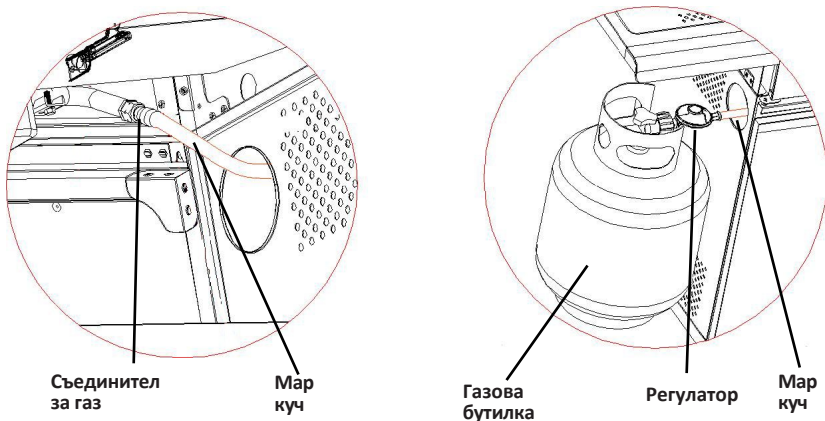
- Моля, изберете гъвкав маркуч, чиято топлоустойчивост е по-висока от 80°C.
- Гъвкавата тръба трябва да се сменя на всеки 2 години. Необходимо е да смените гъвкавата тръба, когато националните условия го изискват.

### Как да смените цилиндъра си

Забележка: Изключете превключвателя на цилиндъра (не е необходим гаечен ключ) Височината на газовата бутилка е под 80 см, а ширината - до 35 см.

### Как да свържете газовата бутилка

- Завъртете оранжевата капачка така, че стрелката да сочи към пролуката в кожата.
- Отстранете оранжевата предпазна капачка, като издърпате ремъка, след това навън. Не използвайте инструменти. Оставете капачката да виси.
- Проверете дали черната уплътнителна шайба е поставена във вътрешността на цилиндричния клапан. Свържете регулатора към вентила.
- Завъртете превключвателя по посока на часовниковата стрелка на газовата бутилка, след което включете газовия грил съгласно инструкциите.



\*Само за продукта без отделение за газова бутилка.

Предупреждение: Винаги проверявайте газопровода за течове в конектора със сапунена вода, като завършвате всички връзки.

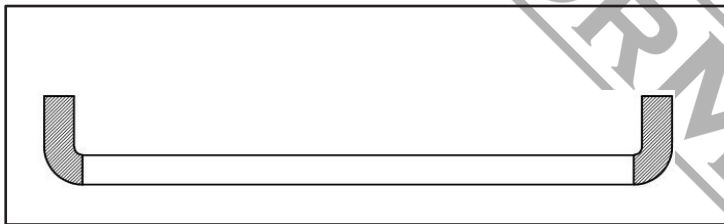
### Как се изключва газова бутилка

- С изключение на двуцилиндровите инсталации с превключващ вентил, изключете газовия кран, ако е монтиран към уреда. Изчакайте, докато горелката и пилотната лампа угаснат. При инсталации с превключващ вентил е необходимо да изключите само празната бутилка.
- Поставете оранжевата предпазна капачка върху празния цилиндър.

### Предупреждения и точки за безопасност

Моля, прочетете следните точки, преди да използвате газовия си грил:

- Прочетете инструкциите, преди да използвате уреда. Ако инструкциите не се спазват, това може да доведе до проблеми при използването.
- Този газов грил може да е много горещ, когато се използва. Пазете малки деца настрана. Използвайте предпазни средства при работа с особено горещи компоненти.
- В случай на изтичане на газ, изключете подаването на газ от бутилката, изгасете всички открити пламъци, отворете капака и ако изтичането продължава, проверете за повреди, лоши връзки и т.н. Незабавно се свържете с местния търговец на газ, ако проблемът не може да бъде разрешен.
- Не премествайте газовия грил по време на употреба.
- Не използвайте и не съхранявайте никакви течности, изпарения или други материали в близост, когато работите с газовия грил.
- Този газов грил може да се използва само на открито.
- Не използвайте открит пламък, за да проверявате за изтичане на газ.
- Не работете с газовия грил, ако има изтичане на газ. Изключете подаването на газ.
- Не се опитвайте да изключвате която и да е част от газовата арматура, ако газовият ви грил се използва, на газовия грил или на газовия регулатор/бутилка.
- Препоръчително е да се внимава, когато се работи с газовия грил, никога не трябва да се оставя без надзор, когато се използва. След употреба изключете подаването на газ от газовия контейнер.
- Газовият грил трябва да се почиства след употреба. Не запушвайте отвора за огън на отделението за контейнери. Ако отворът за огъня е запушен, моля, използвайте кръгла пръчка с диаметър  $\Phi 1,6$  мм, за да изгребете. Внимавайте да не разширите отворите на горелката или отворите на отворите/дюзите, когато почиствате горелката или клапаните.
- Не се опитвайте да използвате този уред в гараж или друго затворено помещение. Също така този уред трябва да се държи далеч от запалими материали по време на употреба и т.н. Препоръчваме ви да спазвате разстояние от поне 0,5 до 1,0 метра от всякакви запалими материали.
- Препоръчваме този газов грил да се обслужва от компетентен инженер в местния магазин за продажба на газ поне веднъж годишно. Не се опитвайте да обслужвате този уред сами.
- Всяка модификация на уреда може да бъде опасна. Не правете опити за неразрешена намеса в основните органи за управление на този газов грил, т.е. в газовите кранове, инжекторите, клапаните и др.



**ПРЕДУПРЕЖДЕНИЕ:** Черната зона на дръжката (вижте горната снимка за справка)

Ще стане горещо, когато се използва газовата скара, бъдете внимателни! Не докосвайте черната зона.

### Предпазни мерки за безопасност

- Винаги проверявайте газопровода за течове в съединителя със сапунена вода, след като направите връзки.
- При запалване на горелката горният капак винаги трябва да е отворен.
- Когато готвите на грил, използвайте ръкавици и здрави инструменти за газов грил с дълги дръжки.
- Бъдете подготвени, ако възникне инцидент или пожар. Знайте къде се намират аптечката за първа помощ и пожарогасителите и знайте как да ги използвате.
- Дръжте електрическия захранващ кабел и маркуча за подаване на гориво далеч от всякакви нагreti повърхности.
- Винаги гответе с голямо внимание.
- Не нагрявайте неотворени стъклени или метални съдове с храна върху грила. Налягането може да се повиши и да доведе до спукване на контейнера, което може да доведе до сериозни наранявания или повреда на грила.

### Инструкции за експлоатация

Внимание: При запалване на горелката капакът трябва да е отворен!  
Не стойте с лице директно над газовия грил, когато го запалвате.

Вашият газов грил има следния начин на запалване:

Пилотното запалване на газовия регулатор (основна горелка или основна горелка със странична горелка): При положение, че всички контролни уреди за газта на газовия грил са в положение "OFF" (изключено), завъртете вентила на газовия цилиндър в положение "on" (включено) на регулатора. За да създадете искра, трябва да натиснете копчето за управление (A) и да го задържите в това положение за 3-5 секунди, за да позволите на газа да потече, след което да завъртите обратно на часовниковата стрелка на "HIGH" (B). Може да се получи искра към тръбата за осветление на горелката (C). Ще чуете "щракване" от запалителя и ще видите също така оранжев пламък, излизащ от тръбата за осветяване на горелката в лявата част на горелката (D).

Продължете да държите копчето за управление на горелката в продължение на две секунди след "щракването", което ще позволи на газа да потече напълно по тръбата на горелката (E) и да се запали.

Когато горелката е запалена, съседните горелки се запалват кръстосано, когато контролите им са завъртени на "HIGH".

При настройка "High" пламъкът на горелката трябва да е дълъг приблизително 12-20 мм с минимален оранжев пламък. Завъртете регулатора на газта до край обратно на часовниковата стрелка за минимална настройка.

Ако имате затруднения при запалването на газовия грил, следвайки горните стъпки, свържете се с вашия дилър за съвет.

Ако автоматичното запалване не може да се използва, моля, отстранете решетката за готвене и топлинния разсейвател (котлона) и завъртете вентила обратно на часовниковата стрелка на 90°C, за да запалите със запалка за барбекю на разстояние 5 мм до отвора за огън на горелката. Заменете решетката за готвене и разсейвателя на топлината (котлона), моля, носете огнеупорни и топлоустойчиви ръкавици.

Предупреждение: Ако горелката все още не се запалва, завъртете копчето за управление на горелката в положение "OFF" (Искл.) и изчакайте 5 минути, за да се освободи газта, преди да запалите отново.

## Съхранение

Газовата бутилка трябва да се съхранява на открито, на добре проветриво място и да се изключва от газовия грил, когато не се използва. Уверете се, че сте на открито и далеч от всякакви източници на запалване, преди да се опитате да изключите газовата бутилка от газовия грил. Когато използвате газовия си грил след определен период на съхранение, преди да го използвате, проверете за изтичане на газ и за препятствия в горелката и т.н. Също така следвайте инструкциите за почистване, за да сте сигурни, че газовият грил е безопасен. Ако газовият грил се съхранява на открито, проверете дали всички зони под предния панел са свободни от всякакви препятствия (насекоми и др.) Тази зона трябва да се поддържа свободна, тъй като това може да повлияе на потока на въздуха за горене или вентилация.

## Инструкции за почистване

Препоръчва се поддръжка на всеки 90 дни за вашия газов грил, но е абсолютно необходимо да се извършва поддръжка поне веднъж годишно. По този начин ще удължите живота на газовия си грил.

Газовият ви грил се почиства лесно и с минимални усилия, просто следвайте тези полезни съвети за удобно почистване.

Отстраняване на неизправности		
Спешни случаи	Възможна причина	Превенция/решение
Изтичане на газ от напукан / прекъснат / изгорял маркуч.	Повреден маркуч.	Изключете газа в резервоара за LP, ако маркучът е прекъснат или напукан, го сменете. Вижте теста за водене на резервоара за LP и свързването на регулатора към LP.
Изтичане на газ от клапана на резервоара за LP.	Механична повреда, дължаща се на почивка или неправилно боравене.	Изключете вентила на резервоара за LP.
Изтичане на газ от клапана на резервоара за LP.	Повреда или повреда на клапана на резервоара поради неправилно боравене или механична повреда	Изключете вентила на резервоара за LP. Върнете резервоара за LP на доставчика на газ
Изтичане на газ между резервоара за втечен газ и връзката на регулатора	Неправилен монтаж, недобре затегната връзка, повреда на гуменото уплътнение	Изключете вентила на резервоара за LP, извадете регулатора от бутилката и визуално проверете гуменото уплътнение за повреди, вж. тест на резервоара за LP и свързване на регулатора към резервоара за LP
Пожар през контролния панел	Пожар в тръбната секция на горелката поради частично запушване	Изключете копчетата за управление и вентила на резервоара за LP.  След като огънят угасне и грилът изстине, извадете горелката и проверете дали няма паяжини или ръжда, вж. страниците за природни опасности и почистване на сглобката на горелката.
Запалване на мазнина или прекомерни пламъци над повърхността за готвене	Натрупване на твърде много мазнина в областта на горелката.	Изключете резервоара за LP. Оставете капака отворен, за да може пламъците да утихнат. След като се охлади, почистете частиците храна и излишната мазнина от вътрешната част на горивната камера, чашата/аницата/тавата за мазнина и други повърхности.
Горелката не се запалва с помощта на запалителя.	Проблеми с газа	
	1. Опит за запалване на грешна горелка	1. Вижте инструкциите на контролния панел и раздела в Употреба и грижи.
	2. Горелката не е свързана с управляващия вентил	2. Уверете се, че клапанът е разположен вътре в тръбите на горелката.
	3. Препятствие в горелката.	3. Уверете се, че тръбите на горелката не са запушени с паяжини или други
	4. Няма газов поток	4. Уверете се, че резервоарът за LP не е празен. Ако резервоарът за LP не е празен, обърнете внимание на внезапния спад на газовия поток.
Горелката не се запалва с помощта на запалителя.	Електрически проблеми	

	<ol style="list-style-type: none"> <li>1. Електродът е пукнат или счупен;" искри при пукнатината."</li> <li>2. Върхът на електрода не е в правилна позиция</li> <li>3. Жица и/или електрод, покрити с готвене остатъци.</li> <li>4. Проводниците са разхлабени или разединени</li> <li>5. Проводниците се късат (искрят) между запалителя и електрод.</li> <li>6. Бутонът за натискане се придържа към дъното, което предизвиква искрене между запалителя и електрода</li> </ol>	<ol style="list-style-type: none"> <li>1. Сменете електрода.</li> <li>2. Върхът на електрода трябва да е насочен към отвора на горелката. Разстоянието трябва да бъде от 1/8" до 3/16". Регулирайте, ако е необходимо.</li> <li>3. Почистете проводника и/или електрода с алкохол и чист тампон.</li> <li>4. Свържете отново проводниците или сменете сглобката електрод/проводник.</li> <li>5. Заменете проводника на запалването</li> <li>6. Замяна на запалителя</li> <li>7. Проверете изолацията на проводника и правилното свързване. Ако изолацията е нарушена, сменете проводниците.</li> </ol>
Горелката не се запалва	<ol style="list-style-type: none"> <li>1. Вижте "Проблеми с газа" на предишната страница.</li> <li>2. Неправилен начин на запалване на мачове</li> </ol>	<ol style="list-style-type: none"> <li>1. Вижте раздел "Контрол на запалването на пилотния газ" за употреба и грижи.</li> </ol>
Внезапно намаляване на газовия поток или слаб пламък	<ol style="list-style-type: none"> <li>1. Натрупване на грес.</li> <li>2. Прекалено много мазнини в месото.</li> <li>3. Прекалено висока температура на готвене</li> </ol>	<ol style="list-style-type: none"> <li>1. Почистете горелките и вътрешността на скарата/огнището</li> <li>2. Изчистете мазнините от месото преди печене на скара.</li> <li>3. Регулиране (понижаване) на температурата</li> </ol>
Пламъците избухват	Силни или поривисти ветрове. Нисък разход на газ LP. Сработил е клапанът за прекомерен поток.	Обърнете предната част на грила към вятъра или увеличете височината на пламъка. Напълнете резервоара за втечнена течност. Вижте "внезапно намаляване на газовия поток" по-горе.
Устойчив пожар на мазнини	Мазнина, уловена от натрупана храна около системата на горелката.	Завъртете копчетата в положение OFF. Изключете газа в резервоара за LP. Оставете капака на мясото и оставете огъня да изгори. След като грилът изстине, свалете и почистете всички части.
Възпламеняване (пожар в тръбата(ите) на горелката)	Горелката и тръбите на горелката са блокирани	Завъртете копчетата на OFF, почистете горелката и/или тръбите на горелката. Вижте раздела за почистване на горелката в ръководството за употреба и грижи.
Възпламеняване	<ol style="list-style-type: none"> <li>1. Натрупване на грес.</li> <li>2. Прекалено много мазнини в месото.</li> <li>3. Прекалено висока температура на готвене</li> </ol>	<ol style="list-style-type: none"> <li>1. Почистете горелките и вътрешността на скарата/огнището</li> <li>2. Изчистете мазнините от месото преди печене на скара.</li> <li>3. Регулиране (понижаване) на температурата</li> </ol>
Невъзможност за пълнене на резервоара за LP	Някои дилъри имат по-стари дюзи за пълнене с износени нишки.	Износените дюзи нямат достатъчно "захапка", за да действат клапана. Опитайте при втори търговец на LP.
Едната горелка не се запалва от другата(ите) горелка ( и )	Натрупване на мазнина или хранителни частици в края на тръбата за пренос	Почистете тръбата за пренос с телена четка

Ако проблемът ви не е разрешен с помощта на горната информация, моля, свържете се с местния търговец на газ.

- Включете горелката за 15-20 минути. Уверете се, че уредът е студен, преди да продължите.
- Решетките трябва да се почистват периодично чрез накисване и измиване със сапунена вода.
- Вътрешните повърхности на капака на корпуса на грила също трябва да се измият с гореща сапунена вода. Използвайте телена четка, стоманена вълна или почистващ тампон, за да отстраните упоритите петна.
- Периодично проверявайте горелката, за да се уверите, че в нея няма насекоми и паяци, които могат да запустат газовата система, отклонявайки газовия поток. Почиствайте много внимателно тръбите Вентури на горелката, уверете се, че няма препятствия. Препоръчваме ви да използвате уред за почистване на тръби, за да почистите зоната на тръбите на Вентури.
- Всякакви модификации на този уред могат да бъдат опасни и не са разрешени.

#### Съвети за безопасност на газовия грил

Поставете газовия си грил на безопасна равна повърхност, далеч от запалими предмети, като дървени огради или надвиснали клони на дървета. Никога не използвайте газовия си грил на закрито!

След като запалите газовия грил, не го премествайте и не го оставяйте без надзор. Дръжте децата и домашните любимци на безопасно разстояние от газовия грил.

Дръжте пожарогасител под ръка.

Газовият грил се нагорещява при работа, затова боравете с капаки и др. с помощта на ръкавици. Уверете се, че уредът е напълно изстинал, преди да го съхранявате. Използвайте само на открито!

Прочетете инструкциите, преди да използвате газовия грил.

Оценяемите части могат да бъдат много горещи, Пазете малки деца далеч! Не премествайте газовия грил по време на работа.

След употреба изключете подаването на газ от газовия контейнер.

Всяка модификация на уреда може да бъде опасна и не е разрешена. Център за поддръжка: моля, обърнете се към местните търговци за поддръжка на производството.

**AVERTISMENT**  
**NOTIFICARE IMPORTANTĂ**

1. Pentru o funcționare sigură și corectă, utilizați numai butelii de GPL destinate uzului casnic care sunt echipate cu o supapă de siguranță. De asemenea, trebuie să conectați regulatorul de joasă presiune 30mbar (nu este reglabil) cu supapa buteliei și cu furtunul special pentru aparate GPL, având grijă să nu apară scurgeri sau deteriorări ale circuitului.
2. Filetele regulatorului de presiune sunt în sens invers acelor de ceasornic.
3. Nu lăsați niciodată și sub nicio formă grătarul nesupravegheat.
4. Dacă se creează multe flăcări care nu se sting de la sine, închideți butelia de gaz. Dacă lăsați focul să ardă, atunci există posibilitatea ca vopseaua grătarului să se ardă. Înainte de fiecare încălzire trebuie să fi curățat de grăsimi colectorul de grăsimi, disipatoarele de căldură (aprinzătoarele de flacără) și restul grătarului, deoarece acestea se pot aprinde și distruge grătarul.
5. Disipatoarele de căldură (aprinzătoarele) trebuie curățate după fiecare utilizare, precum și tava de colectare a grăsimii, prin scufundare în apă fierbinte cu lichid de spălat vase. Nu răzuți suprafețele atunci când au grăsimi lipite, deoarece vopseaua acestora se descompune.
6. În cazul creării extinse de flăcări cauzate de grăsimi în disipatoarele de căldură (tuburi de flacără) poate apărea deteriorarea colorantului porce- lain.
7. Dacă modelul pe care l-ați achiziționat are grătare turnate, nu turnați apă rece când este încă fierbinte, deoarece se poate sparge.
8. Nu utilizați lichide caustice sau spray-uri de curățare.
9. Citiți cu atenție instrucțiunile!
10. Orice deteriorare cauzată de nerespectarea celor de mai sus sau de nerespectarea curățării periodice necesare nu va fi acoperită de garanție.

**UPOZORENJE**  
**VAŽNA OBAVIJEST**

1. Za siguran i pravilan rad koristite samo cilindre UNP-a namijenjene za kućnu uporabu koji su opremljeni sigurnosnim ventilom. Također, trebali biste spojiti regulator niskog tlaka 30mbar (koji se ne može podesiti) s ventilom boce i posebnim crijevom za LPG uređaje pazeći da ne dođe do curenja ili oštećenja kruga.
2. Navoji regulatora tlaka su u smjeru suprotnom od kazaljke na satu.
3. Nikada i ni pod kojim uvjetima ne smijete ostaviti roštilj bez nadzora.
4. Ako se stvori mnogo plamena koji se sami ne gase, zatvorite plinsku bocu. Ako pustite da vatra izgori, postoji mogućnost da će boja roštilja izgorjeti. Prije svakog zagrijavanja trebali ste očistiti sakupljač masti, rasipače topline (krotitelje plamena) i ostatak roštilja od masti, jer se mogu zapaliti i uništiti roštilj.
5. Rasipači topline (krotitelji plamena) moraju se očistiti nakon svake uporabe, kao i posuda za sakupljanje masti uranjanjem u vruću vodu tekućinom za pranje posuđa. Nemojte strugati površine kada imaju lijepljene masti jer im se boja raspada.
6. U slučaju opsežnog stvaranja plamena uzrokovanog mastima u rasipačima topline (plamenim cijevima) može doći do pogoršanja porculanske boje.
7. Ako model koji ste kupili ima odbačene roštilje, nemojte sipati hladnu vodu dok je još vruća jer se može slomiti.
8. Ne koristite kaustične tekućine ili sprejeve za čišćenje.
9. Pažljivo pročitajte upute!
10. Bilo kakva šteta uzrokovana nepoštivanjem gore navedenog ili nepoštivanjem potrebnog redovitog čišćenja neće biti pokrivena jamstvom.

## Instrucțiuni de siguranță

Vă rugăm să păstrați acest manual de instrucțiuni pentru referințe viitoare!  
ACEST GRĂȚAR PE GAZ ESTE PROIECTAT NUMAI PENTRU UTILIZARE ÎN AER LIBER!

**AVERTISMENT: PENTRU O FUNCȚIONARE SIGURĂ ȘI CORECTĂ, ASIGURAȚI-VĂ CĂ CONECTAȚI UN REGULATOR DE PRESIUNE UNIDIRECȚIONAL (NU ESTE INCLUS).**

### Important:

**CITIȚI TOATE INSTRUCȚIUNILE ȘI OPERAȚIUNILE ÎNAINTE DE A UTILIZA ACEASTĂ UNITATE. URMAȚI TOȚI PAȘII ÎN ORDINE. NU PERMITEȚI NICIODATĂ COPIILOR SĂ OPERAZE ACEASTĂ UNITATE.**

### Avertismente:

Se utilizează numai în aer liber.

Citiți instrucțiunile înainte de a utiliza aparatul. Părțile accesibile pot fi foarte fierbinți, țineți copiii mici la distanță.

Nu mutați aparatul în timpul utilizării.

Închideți alimentarea cu gaz la butelia de gaz după utilizare. Orice modificare a aparatului poate fi periculoasă.

Piese sigilate de către producător sau de către agentul acestuia nu trebuie să fie modificate de către utilizator. Nu modificați aparatul.

### Atenție:

Unele părți ale acestui aparat devin foarte fierbinți, aveți grijă deosebită atunci când sunt prezenți copii sau persoane în vârstă.

### Pentru siguranța dumneavoastră:

Nu depozitați și nu utilizați benzină sau combustibili metilici sau orice alți vapori și lichide inflamabile în apropierea acestui aparat sau a oricărui alt aparat. Nu aprindeți niciodată un grătar pe gaz cu benzină sau lichide comparabile!

Sugestie: utilizatorul nu ar trebui să schimbe ansamblul pe care producătorul l-a ambalat.

Anumiți distribuitori de gaze lichide pot umple buteliile de gaz lichid pentru a fi utilizate în grătar dincolo de capacitatea de umplere a buteliilor. Această "supraumplere" poate crea o situație periculoasă. "Supraumplerea" rezervoarelor poate acumula presiune excesivă. Ca dispozitiv de siguranță, supapa de suprapresiune a rezervoarelor va evacua vaporii de gaz pentru a reduce acest exces de presiune. Acești vapori sunt combustibili și, prin urmare, se pot aprinde. Pentru a reduce acest pericol, trebuie să luați următoarele măsuri de siguranță:

A. Atunci când vă umpleți rezervorul, asigurați-vă că îi spuneți furnizorului să nu umpleți rezervorul la mai mult de 80% din capacitatea sa totală.

B. Dacă dețineți sau folosiți un rezervor de rezervă suplimentar sau aveți un rezervor deconectat, nu trebuie să îl depozitați niciodată în apropierea sau sub unitatea de grătar sau sub cutia de căldură sau în apropierea oricărei alte surse de aprindere sau de căldură.

### Pericole:

Dacă simțiți miros de gaz:

1. Închideți gazul la aparat
2. Stingeți orice flacără deschisă
3. Deschideți capacul
4. Dacă mirosul continuă, îndepărtați-vă de aparat și sunați la departamentul local de pompieri

Date tehnice	
BBQ1800	
Putere	<ul style="list-style-type: none"> <li>➤ 2,5 KW per arzător</li> <li>➤ Total: 7,5 KW</li> </ul>
Dimensiunile produsului	68x46x24 cm
Ambalare Dimensiuni	70x49.5x22 cm
Caracteristici specifice	3 arzătoare, placă de gătit emailată, comutatoare de aprindere automată, colector de grăsimi
Regulator și furtun	Nu este inclus



Observație: -SB înseamnă cu arzător lateral; permiteți să puneți o tigare pe arzătorul lateral. (Diametrul tigăii este de max.  $\Phi$  24cm și min.  $\times$   $\Phi$ 8cm).

## Etapele de montare

Asigurați-vă că grătarul dvs. este asamblat corect. Instrucțiuni detaliate de asamblare sunt ambalate împreună cu fiecare grătar, oferind proceduri de asamblare specifice pentru fiecare model. Urmăți cu atenție aceste instrucțiuni pentru a asigura asamblarea corectă și sigură a grătarului.

Atenție: Deși depunem toate eforturile pentru a ne asigura că procesul de asamblare este cât mai ușor posibil, este inerent în cazul pieselor din oțel fabricate că colțurile și marginile pot provoca tăieturi dacă sunt manipulate necorespunzător în timpul procedurilor de asamblare. Aveți grijă la manipularea oricăror piese în timpul asamblării. Se recomandă cu tărie să vă protejați mâinile cu o pereche de mănuși de lucru.

### Pregătire

Veți avea nevoie de o butelie de gaz GPL și de reglatoare adecvate sub presiunea gazului pentru a folosi acest grătar cu gaz. Reglatoarele trebuie să fie conforme cu EN16129 cu versiunea actuală și cu reglementările naționale.

A se vedea punctul 6 pentru instrucțiuni suplimentare.

Sfaturi pentru economisirea energiei:

- Reduceți timpul de deschidere a capacului.
- Opriti grătarul imediat ce se termină gătitul.
- Preîncălziți grătarul cu gaz doar 10 până la 15 minute. (Cu excepția primei utilizări)
- Nu preîncălziți mai mult decât se recomandă.
- Nu utilizați o setare mai mare decât cea necesară.
- Conectați furtunul și regulatorul la rezervorul de gaz din partea stângă a grătarului cu gaz. Țineți cont de faptul că rezervorul de gaz trebuie ținut la distanță de căldură și într-o poziție sigură. Dimensiunea furtunului este de 8-10 mm diametru. Lungimea recomandată a furtunului care nu trebuie să depășească 1,5 m. Furtunul flexibil trebuie să fie în conformitate cu standardul relevant și codul local.

## Instalare

După ce ați cumpărat butelia de gaz, veți fi gata să o configurați cu grătarul dumneavoastră pe gaz.

- Atunci când se schimbă butelia de gaz, aceasta se efectuează departe de orice sursă de aprindere. Poziționați butelia de gaz în partea stângă a grătarului dvs. cu gaz, nu trebuie plasată în interiorul grătarului, ținând cont de faptul că butelia trebuie să fie ținută departe de căldură și într-o poziție sigură.
- Când sunteți gata să folosiți grătarul cu gaz, introduceți regulatorul în supapa buteliei de gaz și strângeți-l bine.

Avertisment: Înainte de a încerca să aprindeți grătarul pe gaz, trebuie să consultați instrucțiunile de aprindere și punctele de avertizare / siguranță.

Verificați furtunul înainte de fiecare utilizare, căutând crăpături, tăieturi sau abraziuni. Dacă se constată că furtunul este defect în vreun fel, nu încercați să folosiți grătarul cu gaz. Când schimbați butelia de gaz, asigurați-vă că nu există surse de aprindere în apropiere, de exemplu, focuri, țigări, flăcări goale etc. Asigurați-vă că aparatul este oprit.

Asigurați-vă că furtunul nu este supus răsucirii, ceea ce va afecta fluxul de gaz atunci când instalați grătarul cu gaz. De asemenea, furtunul nu trebuie să aibă o tensiune nejustificată și nu trebuie să atingă nicio parte a grătarului cu gaz care ar putea fi fierbinte.

- Vă rugăm să alegeți furtunuri flexibile a căror rezistență la căldură este mai mare de 80 °C.
- Tubul flexibil trebuie schimbat la fiecare 2 ani. Este necesar să se schimbe tubul flexibil atunci când condițiile naționale o cer.

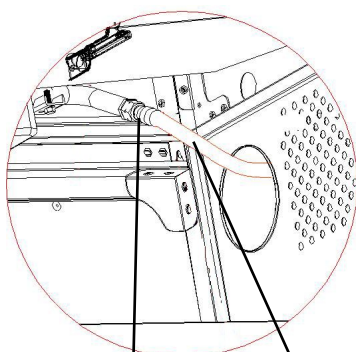
### Cum să vă schimbați cilindrul

Notă: Opriti întrerupătorul cilindrului (nu este necesară o cheie)

Înălțimea buteliei de gaz este sub 80 cm, iar lățimea este de 35 cm.

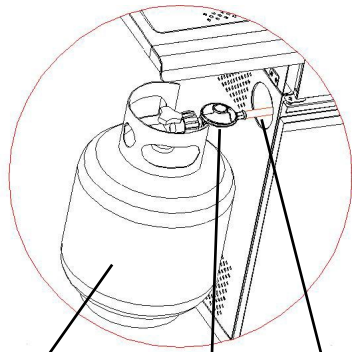
### Cum se conectează o butelie de gaz

- Întoarceți capacul portocaliu astfel încât săgeata să fie îndreptată spre spațiul liber din carcasă.
- Îndepărtați capacul de siguranță portocaliu trăgând de șnurul de siguranță, apoi în afară. Nu utilizați unelte. Lăsați capacul agățat.
- Verificați dacă șaiba neagră de etanșare este montată în interiorul supapelor cilindrului. Conectați regulatorul la supapă.
- Rotiți comutatorul în sensul acelor de ceasornic pe butelia de gaz-apoi porniți grătarul cu gaz conform instrucțiunilor.



Conector de gaz

Furtun



Butelie de gaz

Regulator

Furtun

\*Doar pentru produsul fără compartiment pentru butelia de gaz.

Avertisment: Testați întotdeauna linia de gaz pentru scurgeri la conector cu apă săpunată, finisând toate conexiunile.

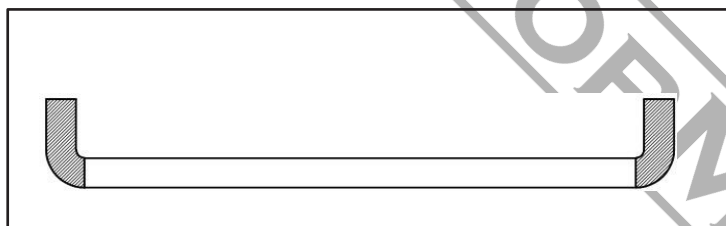
### Cum se deconectează o butelie de gaz

- Cu excepția instalațiilor cu doi cilindri cu o supapă de comutare, închideți robinetul de gaz, dacă este montat pe aparat. Așteptați până când arzătorul și lumina pilotă se sting. În cazul instalațiilor cu supapă de comutare, este necesar să opriți doar butelia goală.
- Puneți din nou capacul portocaliu de siguranță pe butelia goală.

### Puncte de avertizare și de siguranță

Vă rugăm să citiți următoarele puncte înainte de a utiliza grătarul pe gaz:

- Citiți instrucțiunile înainte de a utiliza aparatul. Dacă instrucțiunile nu sunt respectate, acestea pot cauza probleme în timpul utilizării.
- Părțile accesibile ale acestui grătar cu gaz pot fi foarte fierbinți atunci când este utilizat. Țineți copiii mici la distanță. Folosiți măsuri de protecție atunci când manipulați componente deosebit de fierbinți.
- În cazul unei scurgeri de gaz, opriți alimentarea cu gaz de la butelia de gaz, stingeți orice flacără deschisă, deschideți capacul și, dacă scurgerea continuă, verificați dacă există deteriorări, conexiuni necorespunzătoare etc. Contactați imediat distribuitorul local de gaze dacă problema nu poate fi rezolvată.
- Nu mișcați grătarul pe gaz în timpul utilizării.
- Nu folosiți și nu depozitați lichide, vapori sau alte materiale în apropiere atunci când folosiți grătarul cu gaz.
- Acest grătar cu gaz trebuie utilizat numai în aer liber.
- Nu folosiți flacăra goală pentru a verifica dacă există scurgeri de gaz.
- Nu folosiți grătarul cu gaz dacă există o scurgere de gaz. Închideți alimentarea cu gaz.
- Nu încercați să deconectați nicio piesă de racordare a gazului dacă se utilizează grătarul cu gaz, pe grătarul cu gaz sau pe regulatorul/buteliile de gaz.
- Se recomandă să aveți grijă atunci când folosiți grătarul pe gaz, nu trebuie să îl lăsați niciodată nesupravegheat atunci când este utilizat. Închideți alimentarea cu gaz la rezervorul de gaz după utilizare.
- Grătarul cu gaz trebuie curățat după utilizare. Nu obstrucționați deschiderea focului din compartimentul recipientului. Dacă deschiderea focului este obstrucționată, vă rugăm să folosiți un băț rotund de  $\Phi 1,6$  mm pentru a draga. Aveți grijă să nu lărgiți orificiile arzătorului sau deschiderile orificiilor/ duzelor atunci când curățați arzătorul sau supapele.
- Nu încercați să utilizați acest aparat într-un garaj sau în orice altă zonă închisă. De asemenea, acest aparat trebuie ținut departe de materiale inflamabile în timpul utilizării etc. Vă recomandăm să păstrați o distanță de cel puțin 0,5 până la 1,0 metri față de orice materiale inflamabile.
- Vă recomandăm ca acest grătar pe gaz să fie întreținut de către un tehnician competent la un punct de vânzare cu amănuntul de gaz local, cel puțin o dată pe an. Nu încercați să efectuați singuri întreținerea acestui aparat.
- Orice modificare a aparatului poate fi periculoasă. Nu încercați să interveniți în mod neautorizat asupra comenzilor principale ale acestui grătar pe gaz, adică robinete de gaz, injectoare, supape etc.



**AVERTISMENT: Zona neagră a mânerului (a se vedea imaginea de mai sus pentru referință)  
Va deveni fierbinte atunci când grătarul cu gaz este în uz, ATENȚIE! Nu atingeți zona neagră.**

### Măsuri de siguranță

- Testați întotdeauna conducta de gaz cu apă cu săpun pentru a vedea dacă există scurgeri la racord cu apă cu săpun după efectuarea conexiunilor.
- Capacul superior trebuie să fie întotdeauna deschis atunci când se aprinde arzătorul.
- Folosiți mănuși pentru cuptor și unelte de grătar cu gaz cu mâner lung și robust atunci când gătiți pe grătar.
- Fiți pregătiți în cazul în care se produce un accident sau un incendiu. Știți unde se află trusa de prim ajutor și stingătoarele de incendiu și știți cum să le folosiți.
- Țineți cablul de alimentare electrică și furtunul de alimentare cu combustibil departe de orice suprafață încălzită.
- Gătiți întotdeauna cu mare grijă.
- Nu încălziți pe grătar niciun recipient de sticlă sau metal nedeschis cu alimente. Presiunea se poate acumula și poate provoca spargerea recipientului, ceea ce poate duce la vătămări corporale grave sau la deteriorarea grătarului.

### Instrucțiuni de utilizare

Atenție: Capacul trebuie să fie deschis atunci când se aprinde arzătorul!

Nu stați cu fața direct deasupra grătarului cu gaz atunci când îl aprindeți.

Grătarul dumneavoastră pe gaz va avea următoarea metodă de aprindere:

Aprinderea comenzii pilot a gazului (arzătorul principal sau arzătorul principal cu arzător lateral): Cu toate comenzile de gaz de pe grătarul cu gaz în poziția "OFF" (oprit) "OFF" (oprit), rotiți robinetul buteliei de gaz în poziția pornit la regulator. Pentru a crea o scânteie, trebuie să apăsați butonul de control (A) și să îl mențineți în această poziție timp de 3-5 secunde pentru a permite fluxul de gaz și apoi să îl rotiți în sens invers acelor de ceasornic la "HIGH" (B). Se poate produce o scânteie la tubul de aprindere a arzătorului (C). Veți auzi un "pocnet" de la aprinzător și veți vedea, de asemenea, o flacără portocalie ieșind din tubul de iluminare a arzătorului din partea stângă a arzătorului (D).

Continuați să țineți apăsat butonul de control al arzătorului timp de două secunde după "pocnitură", acest lucru va permite gazului să curgă complet pe tubul arzătorului (E) și va asigura aprinderea.

Când arzătorul este aprins, arzătoarele adiacente se vor aprinde în cruce atunci când comenzile lor sunt puse pe "HIGH".

La setarea "High", flacăra arzătorului trebuie să aibă o lungime de aproximativ 12-20 mm, cu o flacără de culoare portocalie. Rotiți butonul de control al gazului complet în sens invers acelor de ceasornic pentru setarea minimă.

În cazul în care întâmpinați dificultăți în aprinderea grătarului cu gaz în urma pașilor de mai sus, contactați dealerul pentru sfaturi.

Dacă nu se poate folosi aprinderea automată, vă rugăm să scoateți grila de gătit și difuzorul de căldură (placa de încălzire) și să rotiți supapa în sens invers acelor de ceasornic la 90°C pentru a aprinde cu bricheta BBQ la o distanță de 5 mm de gaura de foc a arzătorului. Înlocuiți grătarul de gătit și difuzorul de căldură (placa de încălzire), vă rugăm să purtați mănuși ignifuge și rezistente la căldură.

Avertisment: Dacă arzătorul tot nu se aprinde, rotiți butonul de control al arzătorului la "OFF" și așteptați 5 minute pentru a lăsa gazul să se elibereze înainte de a aprinde din nou.

## Depozitare

Butelia de gaz trebuie depozitată în aer liber, într-o zonă bine ventilată și trebuie deconectată de la grătarul cu gaz atunci când nu este utilizată. Asigurați-vă că vă aflați în aer liber și departe de orice sursă de aprindere înainte de a încerca să deconectați butelia de gaz de la grătarul dumneavoastră pe gaz. Atunci când utilizați grătarul cu gaz după o perioadă de depozitare, asigurați-vă că nu există scurgeri de gaz și că nu există obstrucții în arzător etc. înainte de utilizare. De asemenea, urmați instrucțiunile de curățare pentru a vă asigura că grătarul cu gaz este sigur. Dacă grătarul pe gaz este depozitat în aer liber, asigurați-vă că toate zonele de sub panoul frontal sunt libere de orice obstrucții (insecte etc.) Această zonă trebuie să fie liberă, deoarece poate afecta fluxul de aer de ardere sau de ventilație.

## Instrucțiuni de curățare

Întreținerea este recomandată la fiecare 90 de zile pentru grătarul dumneavoastră pe gaz, dar este absolut necesar să efectuați întreținerea cel puțin o dată pe an. Procedând astfel, veți prelungi durata de viață a grătarului dumneavoastră pe gaz.

Grătarul dvs. pe gaz este ușor de curățat cu un efort minim, trebuie doar să urmați aceste sfaturi utile pentru o curățare convenabilă.

Depanare		
Urgențe	Cauza posibilă	Prevenire/ soluție
Scurgeri de gaz din furtunul fisurat / tăiat / ars.	Furtun deteriorat.	Oprii gazul de la rezervorul de gaz lichefiat, dacă sapa este tăiată sau crăpată, înlocuiți furtunul. Consultați testul de plumb al rezervorului LP și regulatorul de conectare la LP.
Scurgeri de gaz din supapa rezervorului de gaz lichefiat.	Defecțiune mecanică datorată odihnei sau manipulării necorespunzătoare.	Închideți supapa rezervorului de gaz lichefiat.
Scurgeri de gaz din supapa rezervorului de gaz lichefiat.	Defecțiune sau supapa rezervorului din cauza unei manipulări necorespunzătoare sau a unei defecțiuni mecanice	Închideți supapa rezervorului de gaz lichefiat. Returnați rezervorul de gaz lichefiat la furnizorul de gaz.
Scurgeri de gaz între rezervorul de gaz lichefiat și conexiunea regulatorului	Instalare necorespunzătoare, conexiune neetanșă, defecțiune a garniturii de cauciuc	Închideți robinetul rezervorului de gaz lichefiat, scoateți regulatorul din butelie și inspectați vizual garnitura de cauciuc pentru a vedea dacă este deteriorată, consultați testul rezervorului de gaz lichefiat și conectați regulatorul la rezervorul de gaz lichefiat.
Incendiu care iese prin panoul de control	Incendiu în secțiunea tubului arzătorului din arzător din cauza blocării parțiale	Oprii butoanele de control și supapa rezervorului de gaz lichefiat.  După ce focul s-a stins și grătarul este rece, scoateți arzătorul și inspectați-l pentru a vedea dacă există cuihuri de păianjen sau rugină, consultați paginile privind riscurile naturale și curățarea ansamblului arzătorului.
Foc de grăsime sau flăcări excesive deasupra suprafeței de gătit	Se acumulează prea multă grăsime în zona arzătorului.	Oprii rezervorul de gaz lichefiat. Lăsați capacul deschis pentru a permite flăcărilor să se stingă. După răcire, curățați particulele de alimente și excesul de grăsime din interiorul focarului, din cupa de grăsime, din tava/pană/plăci și de pe alte suprafețe.
Arzătorul nu se aprinde cu ajutorul aprinzătorului.	Probleme legate de gaz	
	1. Încercarea de a aprinde arzătorul greșit	1. Consultați instrucțiunile de pe panoul de comandă și secțiunea din Utilizare și Îngrijire.
	2. Arzătorul nu este cuplat cu supapa de control	2. Asigurați-vă că supapa este poziționată în interiorul tuburilor arzătorului.
	3. Obstrucție în arzător.	3. Asigurați-vă că tuburile arzătorului nu sunt obstrucționate cu pânze de păianjen sau alte
	4. Nu există flux de gaz	4. Asigurați-vă că rezervorul de gaz lichefiat nu este gol. Dacă rezervorul de GPL nu este gol, consultați scăderea bruscă a debitului de gaz.
Arzătorul nu se aprinde cu ajutorul aprinzătorului.	Probleme electrice	

	<ol style="list-style-type: none"> <li>1. Electrode fisurat sau rupt;" scantei la fisura."</li> <li>2. Vârful electrodului nu este în poziția corectă</li> <li>3. Sârmă și/sau electrod acoperit de gătit reziduu.</li> <li>4. Firele sunt slăbite sau deconectate</li> <li>5. Firele se scurtcircuitează (scânteii) între aprinzător și electrod.</li> <li>6. Butonul de apăsare se blochează în partea de jos scânteii între aprinzător și electrod</li> </ol>	<ol style="list-style-type: none"> <li>1. Înlocuiți electrodul.</li> <li>2. Vârful electrodului trebuie să fie îndreptat spre orificiul de admisie din arzător. Distanța trebuie să fie de 1/8" până la 3/16". Reglați dacă este necesar.</li> <li>3. Curățați firul și/sau electrodul cu alcool de frecare și un tampon curat.</li> <li>4. Reconectați firele sau înlocuiți ansamblul electrod/fire.</li> <li>5. Înlocuiți firul de aprindere</li> <li>6. Înlocuiți aprinzătorul</li> <li>7. Inspectați izolația firelor și conexiunea corectă. Înlocuiți firele dacă izolația este ruptă.</li> </ol>
Arzătorul nu se potrivește cu lumina	<ol style="list-style-type: none"> <li>1. A se vedea "Probleme legate de gaz" de pe pagina anterioară.</li> <li>2. Metoda necorespunzătoare de aprindere a chibriturilor</li> </ol>	<ol style="list-style-type: none"> <li>1. Consultați secțiunea "Aprinderea pilotului de control al gazului" din secțiunea de utilizare și îngrijire.</li> </ol>
Scădere bruscă a debitului de gaz sau flacăra scăzută	<ol style="list-style-type: none"> <li>1. Acumularea de grăsime.</li> <li>2. Exces de grăsime în carne.</li> <li>3. Temperatură de gătit excesivă</li> </ol>	<ol style="list-style-type: none"> <li>1. Curățați arzătoarele și interiorul grătarului / focarului</li> <li>2. Tăiați grăsimea de pe carne înainte de a o frige.</li> <li>3. Reglați (reduceți) temperatura</li> </ol>
Flames suflă în aer	Vânt puternic sau în rafale. Nu mai aveți suficient gaz lichefiat. S-a declanșat supapa de exces de debit.	<p>Întoarceți partea frontală a grătarului pentru a fi orientată spre vânt sau pentru a mări înălțimea flăcării.</p> <p>Reumpleți rezervorul de gaz lichefiat.</p> <p>Consultați "scăderea bruscă a debitului de gaz" de mai sus.</p>
Foc persistent de grăsime	Grăsime reținută de acumularea de alimente în jurul sistemului de arzătoare.	Rotiți butoanele la OFF. Opriți gazul la rezervorul de gaz lichefiat. Lăsați capacul în poziție și lăsați focul să se stingă. După ce grătarul se răcește, scoateți și curățați toate piesele.
Flashback (incendiu în tubul (tuburile) arzătorului)	Arzătorul și tuburile arzătorului sunt blocate	Întoarceți butoanele la OFF, curățați arzătorul și/sau tuburile arzătorului. Consultați secțiunea de curățare a arzătorului din manualul de utilizare și întreținere
Focar de explozie	<ol style="list-style-type: none"> <li>1. Acumularea de grăsime.</li> <li>2. Exces de grăsime în carne.</li> <li>3. Temperatură de gătit excesivă</li> </ol>	<ol style="list-style-type: none"> <li>1. Curățați arzătoarele și interiorul grătarului / focarului</li> <li>2. Tăiați grăsimea de pe carne înainte de a o frige.</li> <li>3. Reglați (reduceți) temperatura</li> </ol>
Imposibilitatea de a umple rezervorul LP	Unii dealeri au duze de umplere mai vechi, cu duze de umplere uzate.	Duzele uzate nu mai au suficientă "mușcătură" pentru a angaja supapa. Încercați un al doilea distribuitor LP.
Un arzător nu se aprinde de la celălalt (celelalte) arzător(e)	Acumulări de grăsime sau particule de alimente în capătul tubului de transport	Curățați tubul de transport cu o perie de sârmă

Dacă problema dvs. nu este rezolvată din informațiile de mai sus, contactați distribuitorul local de gaze.

- a) Porniți arzătorul timp de 15-20 de minute. Asigurați-vă că aparatul este rece înainte de a continua.
- b) Grilele trebuie curățate periodic prin înmuiere și spălare în apă cu săpun.
- c) Suprafețele interioare ale capacului carcasei grătarului trebuie, de asemenea, spălate cu apă caldă și săpun. Folosiți o perie de sârmă, vată de oțel sau un tampon de curățare pentru a îndepărta petele încăpățănate.
- d) Verificați periodic arzătorul pentru a vedea dacă este liber de insecte și păianjeni, care pot bloca sistemul de gaz, deviind fluxul de gaz. Asigurați-vă că curățați foarte atent țevile venturi de pe arzător, asigurați-vă că nu există obstrucții. Vă recomandăm să folosiți un curățător de țevi pentru a curăța zona țevilor venturi.
- e) Orice modificare a acestui aparat poate fi periculoasă și nu este permisă.

#### Sfaturi de siguranță pentru grătarul cu gaz

Așezați grătarul pe gaz pe o suprafață sigură și plană, departe de elemente inflamabile, cum ar fi gardurile de lemn sau ramurile de copac care atârnă. Nu utilizați niciodată grătarul pe gaz în interior!

Odată aprins, nu mutați grătarul cu gaz și nu îl lăsați nesupravegheat. Țineți copiii și animalele de companie la o distanță sigură de grătarul cu gaz. Țineți la îndemână un stingător de incendiu.

Grătarul cu gaz se va încinge atunci când este utilizat, așa că manevrați capacele etc. cu ajutorul mânușilor. Asigurați-vă că aparatul s-a răcit complet înainte de a-l depozita.

Utilizați numai în aer liber!

Citiți instrucțiunile înainte de a utiliza grătarul cu gaz.

Piese evaluabile pot fi foarte fierbinți, țineți copiii mici la distanță! Nu mutați grătarul cu gaz în timpul utilizării.

Închideți alimentarea cu gaz la rezervorul de gaz după utilizare.

Orice modificare a aparatului poate fi periculoasă și nu este permisă. Centrul de întreținere: vă rugăm să mergeți la distribuitorii locali pentru întreținerea producției.

## Sigurnosne upute

Spremite ovaj priručnik s uputama za buduću upotrebu!  
**OVAJ PLINSKI ROŠTILJ DIZAJNIRAN JE SAMO ZA VANJSKU UPOTREBU!**

**UPOZORENJE: ZA SIGURAN I PRAVILAN RAD OBAVEZNO SPOJITE JEDNOSMJERNI REGULATOR TLAKA (NIJE UKLJUČEN).**

### Važan:

**PROČITAJTE SVE UPUTE I OPERACIJE PRIJE RADA OVE JEDINICE. SLIJEDITE SVE KORAKE PO REDU. NIKADA NE DOPUSTITE DJECI DA UPRAVLJAJU OVOM JEDINICOM.**

### Upozorenja:

Koristite samo na otvorenom.  
 Pročitajte upute prije uporabe uređaja.  
 Pristupačni dijelovi možda vrlo vrući, držite malu djecu podalje.  
 Ne pomičite uređaj tijekom uporabe.  
 Isključite dovod plina na plinskom cilindru nakon uporabe.  
 Svaka izmjena uređaja može biti opasna.  
 Korisnik ne smije mijenjati dijelove koje je zapečatio proizvođač ili njegov agent. Ne mijenjajte uređaj.

### Pažnja:

Neki dijelovi ovog uređaja postaju jako vrući, posebno pazite kada su prisutna djeca ili starije osobe.

### Radi vaše sigurnosti:

Nemojte skladištiti ili koristiti benzin ili metilirana goriva ili bilo koje druge zapaljive pare i tekućine u blizini ovog ili bilo kojeg drugog uređaja.  
 Nikada ne palite plinski roštilj benzinom ili usporedivim tekućinama!

Prijedlog: korisnik ne bi trebao mijenjati sklop koji je proizvođač zapakirao.

Određeni trgovci tekućim plinom mogu napuniti boce s tekućim plinom za uporabu u roštilju izvan kapaciteta punjenja cilindra. Ovo "Prekomjerno punjenje" može stvoriti opasno stanje. Spremnici za "prekomjerno punjenje" mogu povećati višak tlaka. Kao sigurnosni uređaj, ventil za rasterećenje spremnika ispuštat će plinsku paru kako bi oslobodio ovaj višak tlaka. Ova para je zapaljiva i stoga se može zapaliti. Da biste smanjili tu opasnost, poduzmite sljedeće sigurnosne mjere opreza:

A. Kada napunite spremnik, obavezno recite dobavljaču da ga napuni do najviše 80% ukupnog kapaciteta.

B. Ako posjedujete ili koristite dodatni rezervni spremnik ili imate odspojeni spremnik, nikada ga ne biste trebali čuvati u blizini ili ispod roštilja ili toplinske kutije ili u blizini bilo kojeg drugog izvora paljenja ili topline.

### Opasnosti:

Ako osjetite miris plina:

1. Isključite plin iz uređaja
2. Ugasite svaki otvoreni plamen
3. Otvorite poklopac
4. Ako se miris nastavi, držite se podalje od aparata i nazovite lokalnu vatrogasnu službu

Tehnički podaci	
BBQ1800	
Vlast	➤ 2,5 KW Po plameniku ➤ Ukupno: 7,5 KW
Dimenzije proizvoda	68x46x24 cm
Dimenzije pakiranja	70x49.5x22 cm
Specifične karakteristike	3 plamenika, emajlirana ploča za kuhanje, prekidači za automatsko paljenje, skupljač masnoće
Regulator i crijevo	Nije uključeno



Napomena: -SB znači s bočnim plamenikom; Ostavite da stavite tavu na bočni plamenik. (Promjer posude je max.  $\Phi$  24cm i Min. x  $\Phi$ 8cm)

## Koraci montaže

Provjerite je li vaš roštilj pravilno sastavljen. Detaljne upute za montažu pakirane su sa svakim roštiljem koji daje posebne postupke montaže za svaki model. Pažljivo slijedite ove upute kako biste osigurali ispravnu i sigurnu montažu roštilja.

**Oprez:** Iako ulažemo sve napore kako bismo osigurali da postupak montaže bude što jednostavniji, on je svojstven proizvedenim čeličnim dijelovima koji kutovi i obrubljeni mogu uzrokovati posjekotine ako se nepravilno rukuje tijekom postupaka montaže. Budite oprezni prilikom rukovanja bilo kojim dijelovima tijekom montaže. Preporučuje se da ruke zaštitite parom radnih rukavica.

### Priprema

Trebat će vam plinska boca LPG i odgovarajući regulatori pod tlakom plina za upravljanje ovim plinskim roštiljem. Regulatori bi trebali biti u skladu s EN16129 s trenutnom verzijom i nacionalnim propisima.

Za dalje upute pogledajte točku 6.

Savjeti za uštedu energije:

- Smanjite vrijeme otvaranja poklopca.
- Isključite roštilj čim kuhanje završi.
- Zagrijte plinski roštilj samo 10 do 15 minuta. (Osim za prvu uporabu)
- Ne zagrijavajte duže nego što je preporučeno.
- Ne koristite višu postavku od potrebne.
- Spojite crijevo i regulator na spremnik za plin s lijeve strane plinskog roštilja. Imajući na umu da se spremnik za plin mora držati podalje od topline i u sigurnom položaju. Dimenzija crijeva je promjera 8-10 mm. Preporučena duljina crijeva koja ne smije prelaziti 1,5 m. Fleksibilno crijevo treba biti u skladu s relevantnim standardnim i lokalnim kodom.

## Instalacija

Nakon kupnje plinske boce bit ćete spremni za postavljanje s plinskim roštiljem.

- Prilikom zamjene plinske boce ona se mora izvesti dalje od bilo kojeg izvora paljenja. Postavite plinski cilindar na lijevu stranu plinskog roštilja, ne smijete ga postavljati unutar roštilja, imajući na umu da se boca mora držati podalje od topline i u sigurnom položaju.
- Kada ste spremni za uporabu plinskog roštilja, umetnite regulator u ventil plinske boce i čvrsto zategnite.

Upozorenje: Prije nego što pokušate zapaliti plinski roštilj, morate pogledati upute za osvjetljenje i točke upozorenja / sigurnosti.

Provjerite crijevo prije svake uporabe, tražeći pucanje, posjekotine ili ogrebotine. Ako se utvrdi da je crijevo na bilo koji način neispravno, ne pokušavajte koristiti svoj plinski roštilj. Prilikom promjene plinske boce osigurava se da u blizini nema izvora paljenja, odnosno požara, cigareta, golog plamena itd. Provjerite je li uređaj isključen.

Pazite da crijevo nije podvrgnuto uvijanju što će utjecati na protok plina prilikom ugradnje plinskog roštilja. Također, crijevo ne smije imati nepotrebnu napetost i ne smije dodirivati bilo koji dio plinskog roštilja koji može biti vruć.

- Odaberite fleksibilno crijevo čija je otpornost na toplinu viša od 80°C.
- Fleksibilnu cijev treba mijenjati svake 2 godine. <sup>TM</sup>Potrebno je promijeniti fleksibilnu cijev kada to zahtijevaju nacionalni uvjeti.

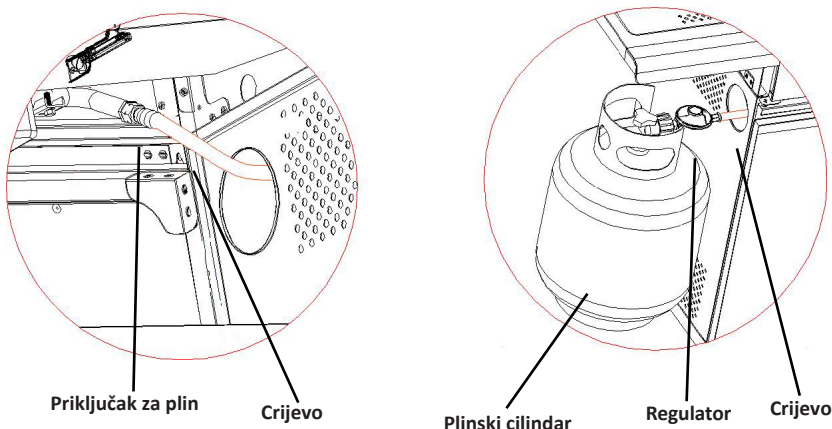
### Kako promijeniti cilindar

Napomena: Isključite prekidač cilindra (nije potreban ključ)

Visina plinskog cilindra je ispod 80 cm, a širina unutar 35 cm

### Kako spojiti plinsku bocu

- Okrenite narančastu kapu tako da strelica pokazuje na razmak u pokrovu.
- Uklonite narančastu sigurnosnu kapu izvlačenjem uzice, a zatim van. Ne koristite alate. Ostavite kapu na cjedilu.
- Provjerite je li crna brtvena podloška ugrađena unutar ventila cilindra. Spojite regulator na ventil.
- Okrenite prekidač u smjeru kazaljke na satu na plinskoj boci, a zatim uključite plinski roštilj prema uputama.



\*Samo za proizvod bez odjeljka za plinske boce.

Upozorenje: Uvijek testirajte plinski vod na curenje na priključku sa sapunskom vodom koja završava sve priključke.

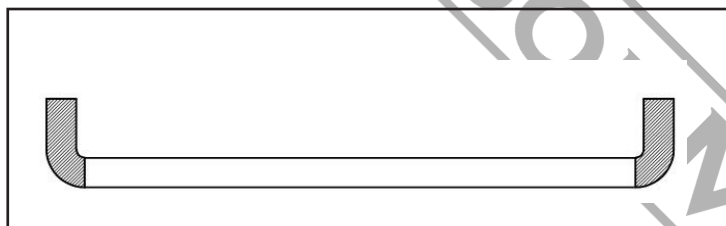
### Kako odvojiti plinsku bocu

- Osim dvocilindričnih instalacija s ventilom za prebacivanje, isključite slavinu za plin ako je ugrađena na uređaj. Pričekajte dok se plamenik i kontrolno svjetlo ne ugase. Za instalacije s ventilom za prebacivanje potrebno je samo isključiti prazan cilindar.
- Zamijenite narančastu sigurnosnu kapu na prazan cilindar.

### Točke upozorenja i sigurnosti

Prije upotrebe plinskog roštilja pročitajte sljedeće točke:

- Pročitajte upute prije uporabe uređaja. Ako se ne poštuju upute, to može uzrokovati probleme u uporabi.
  - Ovaj plinski roštilj pristupačni dijelovi možda vrlo vrući kada se koriste. Držite malu djecu podalje. Koristite zaštitne pri rukovanju posebno vrućim komponentama.
  - U slučaju curenja plina, Isključite dovod plina na plinskoj boci, ugase otvoreni plamen, otvorite poklopac i ako se curenje nastavi, provjerite ima li oštećenja, loših priključaka itd. Ako se problem ne može riješiti, odmah se obratite lokalnom prodavaču plina.
  - Ne pomičite plinski roštilj tijekom uporabe.
  - Prilikom rada s plinskim roštiljem nemojte koristiti niti skladištiti tekućine, pare ili druge materijale u blizini.
  - Ovaj plinski roštilj koristi se samo na otvorenom.
  - Ne koristite goli plamen za provjeru curenja plina.
  - Ne koristite plinski roštilj ako dođe do curenja plina. Isključite dovod plina.
  - Ne pokušavajte odvojiti bilo koji dio za plinsku armaturu ako se koristi vaš plinski roštilj, na plinskom roštilju ili regulatoru / boci plina.
  - Preporučuje se njega prilikom rada s plinskim roštiljem, nikada ne smijete ostaviti bez nadzora kada se koristite. Isključite dovod plina u spremniku za plin nakon uporabe.
  - Plinski roštilj treba očistiti nakon uporabe. Ne ometajte protupožarni otvor kontejnerskog odjeljka. Ako je protupožarni otvor blokiran, za bageriranje koristite okrugli štapić od  $\phi 1,6$  mm.
- Pri čišćenju plamenika ili ventila pazite da prilikom čišćenja plamenika ili ventila ne povećate otvore plamenika ili otvora otvora za otvore.
- Ne pokušavajte koristiti ovaj uređaj u garaži ili bilo kojem zatvorenom prostoru. Također, ovaj uređaj mora biti podalje od zapaljivih materijala tijekom uporabe itd. Preporučujemo da držite razmak od najmanje 0,5 do 1,0 metra od zapaljivih materijala.
  - Preporučujemo da ovaj plinski roštilj barem jednom godišnje servisira vaše lokalno prodajno mjesto za plin. Ne pokušavajte sami servisirati ovaj uređaj.
  - Svaka izmjena uređaja može biti opasna. Ne pokušavajte neovlašteno ometati glavne kontrole na ovom plinskom roštilju, odnosno slavine za plin, brizgaljke, ventile itd.



**UPOZORENJE:** Crno područje ručke (pogledajte gornju sliku za referencu) postat će vruće kada se plinski roštilj koristi, **BUDITE OPREZNI!** Ne dirajte crno područje.

### Sigurnosne mjere opreza

- Uvijek testirajte plinske vodove na curenje na priključku sa sapunastom vodom nakon spajanja.
- Gornji poklopac mora uvijek biti otvoren prilikom paljenja plamenika.
- Prilikom kuhanja na roštilju koristite rukavice za pećnicu i čvrste plinske alate s dugom ručkom.
- Budite spremni ako dođe do nesreće ili požara. Znajte gdje su pribor za prvu pomoć i aparati za gašenje požara i znajte kako ih koristiti.
- Držite bilo koji kabel za napajanje električnom energijom i crijevo za dovod goriva dalje od bilo kakvih zagrijanih površina.
- Uvijek kuhajte s velikom pažnjom.
- Ne zagrijavajte neotvorenu staklenu ili metalnu posudu s hranom na roštilju. Pritisak se može povećati i uzrokovati pucanje spremnika, što može rezultirati serijskim osobnim ozljedama ili oštećenjem roštilja.

### Upute za uporabu

**Oprez:** Poklopac mora biti otvoren prilikom paljenja plamenika!  
Nemojte stajati licem izravno preko plinskog roštilja kada ga palite.

Vaš plinski roštilj imat će sljedeći način paljenja:

Pilot plinsko kontrolno paljenje (Glavni plamenik ili glavni plamenik s bočnim plamenikom): Sa svim kontrolama plina na plinskom roštilju u položaju "OFF" "OFF", okrenite plinski cilindar ventil u položaj za uključivanje na regulatoru. Da biste stvorili iskru, morate pritisnuti kontrolni gumb (A) i držati ga u tom položaju 3-5 sekundi kako biste omogućili protok plina, a zatim okrenuti u smjeru suprotnom od kazaljke na satu na "HIGH" (B). Može zaiskriti na cijevi za osvjetljenje plamenika (C). Čut ćete "pucketanje" iz upaljača, a vidjet ćete i narančasti plamen koji dolazi iz cijevi za osvjetljenje plamenika na lijevoj strani plamenika (D).

Nastavite držati kontrolni gumb plamenika dvije sekunde nakon "pucanja", što će omogućiti da plin potpuno teče niz cijev plamenika (E) i osigura paljenje. Kada se plamenik zapali, susjedni plamenici će prijeći svjetlo kada su njihove kontrole okrenute na "VISOKO"

Pri postavljanju "Visokog" plamen plamenika trebao bi biti dugačak oko 12-20 mm s najmanje narančastog plamena. Okrenite kontrolu plina u potpunosti u smjeru suprotnom od kazaljke na satu za minimalno podešavanje.

Ako imate poteškoća s paljenjem plinskog roštilja slijedeći gore navedene korake, obratite se prodavaču za savjet.

Ako se automatsko paljenje ne može koristiti, izvadite roštilj za kuhanje i difuzor topline (ploča za kuhanje), a ventil okrenite u smjeru suprotnom od kazaljke na satu na 90 °C na svjetlo pomoću upaljača za roštilj u udaljenosti od 5 mm do rupe za požar plamenika. Zamijenite roštilj za kuhanje i difuzor topline (ploču za kuhanje), nosite vatrootporne rukavice otporne na toplinu.

Upozorenje: Ako plamenik i dalje ne svijetli, uključite kontrolni gumb plamenika "OFF" i pričekajte 5 minuta da se plin očisti prije ponovnog paljenja.

## Uskladištenje

Vaša plinska boca mora biti pohranjena na otvorenom u dobro prozračenom prostoru i mora biti isključena s plinskog roštilja kada se ne koristi. Prije nego što pokušate odvojiti plinsku bocu od plinskog roštilja, provjerite jeste li na otvorenom i udaljeni od izvora paljenja.

Kada koristite plinski roštilj nakon razdoblja skladištenja, provjerite ima li curenja plina i prije upotrebe provjerite ima li prepreka u plameniku itd. Također slijedite upute za čišćenje kako biste bili sigurni da je plinski roštilj siguran.

Ako se plinski roštilj čuva na otvorenom, provjerite jesu li sva područja ispod prednje ploče slobodna od bilo kakvih prepreka (insekti itd.) Ovo područje mora biti slobodno jer to može utjecati na protok zraka za izgaranje ili ventilaciju.

## Upute za čišćenje

Održavanje se preporučuje svakih 90 dana za vaš plinski roštilj, ali je apsolutno potrebno održavati najmanje jednom godišnje. Na taj ćete način produžiti vijek trajanja vašeg plinskog roštilja.

Vaš plinski roštilj lako se čisti uz minimalan napor, samo slijedite ove korisne savjete za praktičnost čišćenja.

Rješavanje problema		
Hitne slučajeve	Mogući uzrok	Prevenција/ Rješenje
Plin curi iz napuknutog / izrezanog / spaljenog crijeva.	Oštećeno crijevo.	Isključite plin u spremniku LP-a, ako su motike izrezane ili napuknute, zamijenite crijevo. Pogledajte ispitivanje olova spremnika LP i regulator spajanja na LP.
Plin curi iz ventila LP spremnika.	Mehanički kvar zbog odmora ili lošeg rukovanja.	Isključite ventil LP spremnika.
Plin curi iz ventila LP spremnika.	Kvar ili ventil spremnika od pogrešnog rukovanja ili mehaničkog kvara.	Isključite ventil LP spremnika. Vratite spremnik LP-a dobavljaču plina.
Istjecanje plina između spremnika LP i priključka regulatora.	Nepravilna ugradnja, priključak nije čvrst, kvar gumene brtve.	Isključite ventil spremnika LP-a, uklonite regulator iz cilindra i vizualno pregledajte oštećenja gumene brtve, pogledajte ispitivanje spremnika LP-a i regulator spajanja na spremnik LP-a.
Vatra dolazi kroz upravljačku ploču.	Požar u dijelu plamenika zbog djelomične blokade.	Isključite upravljačke gumbе i ventil LP spremnika. Nakon što se vatra ugasi i roštilj ohladi, uklonite plamenik i pregledajte ima li gnijezda pauka ili hrđe, pogledajte prirodnu opasnost i očistite stranice za montažu plamenika.
Podmažite vatru ili prekomjerni plamen iznad površine za kuhanje.	Previše nakupljanja masti u području plamenika.	Isključite LP spremnik. Ostavite poklopac otvoren kako bi se plamen ugasio. Nakon hlađenja očistite čestice hrane i višak masnoće iz područja ložišta, šalice za masnoću / tave / pladnja i drugih površina.
Plamenik neće svijetliti pomoću upaljača.	Problemi s plinom	
	1. Pokušaj paljenja pogrešnog plamenika.	1. Pogledajte upute na upravljačkoj ploči i odjeljku u odjeljku Uporaba i njega.
	2. Plamenik nije uključen u upravljački ventil.	2. Provjerite jesu li ventili smješteni unutar cijevi plamenika.
	3. Opstrukcija u plameniku.	3. Osigurajte da cijevi plamenika nisu začepljene paukovim mrežama ili drugim stvarima.
Plamenik neće svijetliti pomoću upaljača.	Električni problemi	
	1. Elektroda napukla ili slomljena;" iskre na pukotini." 2. Vrh elektrode nije u ispravnom položaju 3. Žica i/ili elektroda prekrivene ostacima kuhanja. 4. Žice su labave ili odspojene 5. Žice su kratke (iskreće) između upaljača i elektrode. 6. Pritisnite tipke na dnu koje svjetlucaju između upaljača i elektrode.	1. Zamijenite elektrodu. 2. Vrh elektrode trebao bi biti usmjeren prema otvoru u plameniku. Udaljenost bi trebala biti 1/8" do 3/16". Po potrebi prilagodite. 3. Očistite žicu i ili elektrodu alkoholom za trljanje i očistite bris. 4. Ponovno spojite žice ili zamijenite sklop elektroda/žice. 5. Zamijenite žicu za paljenje. 6. Zamijenite upaljač. 7. Pregledajte izolaciju žice i pravilno spajanje. Zamijenite žice ako je izolacija slomljena.
Plamenik neće odgovarati svjetlu.	Pogledajte "problemi s plinom;" na prethodnoj stranici. 2. Nepravilna metoda rasvjete šibice.	1. Pogledajte odjeljak uporabe i njega "Pilot Gas Control Paljenje".

Nagli pad protoka plina ili nizak plamen	1. Nakupljanje masti. 2. Prekomjerna masnoća u mesu. 3. Prekomjerna temperatura kuhanja	1. Očistite plamenike i unutrašnjost roštilja / ložišta. 2. Odrežite masnoću od mesa prije pečenja. 3. Podesite (nižu) temperaturu.
Plamen se ugasio	Jaki ili udarni vjetrovi. Nedostaje LP plina. Ventil viška protoka se aktivirao.	Okrenite prednji dio roštilja prema vjetru ili povećajte visinu plamena. Napunite spremnik LP-a. Pogledajte gore navedeni "nagli pad protoka plina".
Trajna masna vatra	Mast zarobljena nakupljanjem hrane oko sustava plamenika.	Uključite gumb na ISKLJUČENO. Isključite plin u spremniku LP-a. Ostavite poklopac na mjestu i pustite da vatra izgori. Nakon što se roštilj ohladi, uklonite i očistite sve dijelove.
Flashback (vatra u cijevima plamenika)	Cijevi plamenika i plamenika su blokirane.	Okrenite gumb na ISKLJUČENO, očistite cijevi plamenika i/ili plamenika. Pogledajte odjeljak za čišćenje plamenika u priručniku za uporabu i njegu.
Tvrdoглаva vatra zbog masti	1. Nakupljanje masti. 2. Prekomjerna masnoća u mesu. 3. Prekomjerna temperatura kuhanja.	1. Očistite plamenike i unutrašnjost roštilja / ložišta. 2. Odrežite masnoću od mesa prije pečenja. 3. Podesite (nižu) temperaturu.
Nije moguće napuniti spremnik LP-a	Neki trgovci imaju starije mlaznice za punjenje istrošenim nitima.	Okrenite istrošene mlaznice nemaju dovoljno "ugriza" za uključivanje ventila. Pokušajte s drugim distributerom LP-a.
Jedan plamenik ne svijetli iz drugih izgaranja	Nakupljanje masti ili čestice hrane na kraju cijevi za nošenje.	Očistite cijev za prijenos žičanom četkom.

Ako vaš problem nije riješen iz gore navedenih podataka, obratite se lokalnom prodavaču plina.

- Uključite plamenik 15 do 20 minuta. Prije nastavka provjerite je li uređaj hladan.
- Rešetke treba povremeno čistiti namakanjem i pranjem u sapunici.
- Unutarnje površine poklopca kućišta roštilja također treba oprati vrućom, sapunastom vodom. Koristite žičanu četku, čeličnu vunu ili jastučić za ribanje kako biste uklonili tvrdokorna mjesta.
- Povremeno provjeravajte plamenik kako biste vidjeli da nema insekata i pauka koji mogu začepiti plinski sustav, odbijajući protok plina. Pobrinite se da pažljivo očistite venturi cijevi na plameniku, pazite da nema prepreka. Preporučujemo da za čišćenje područja cijevi Venturi koristite sredstvo za čišćenje cijevi.
- Sve preinake ovog uređaja mogu biti opasne i nisu dopuštene.

#### Sigurnosni savjeti za plinski roštilj

Postavite plinski roštilj na sigurnu ravnu površinu, dalje od zapaljivih predmeta poput drvenih ograda ili nadvišenih grana drveća. Nikada ne koristite plinski roštilj u zatvorenom prostoru!

Nakon paljenja ne pomičite plinski roštilj niti ga ostavljajte bez nadzora.

Držite djecu i kućne ljubimce na sigurnoj udaljenosti od plinskog roštilja.

Držite aparat za gašenje požara pri ruci.

Plinski roštilj postat će vruć kada se koristi, pa rukujte poklopcima itd. uz pomoć rukavica.

Prije skladištenja provjerite je li se uređaj potpuno ohladio.

Koristite samo na otvorenom!

Pročitajte upute prije uporabe plinskog roštilja.

Procijenjeni dijelovi mogu biti vrlo vrući, držite malu djecu podalje!

Ne pomičite plinski roštilj tijekom uporabe.

Isključite dovod plina u spremniku za plin nakon uporabe.

Svaka preinaka uređaja može biti opasna i nije dopuštena.

Centar za održavanje: molimo vas da odete lokalnim trgovcima na održavanje proizvodnje.

**OSTRZEŻENIE**  
**WAŻNA INFORMACJA**

1. Aby zapewnić bezpieczne i prawidłowe działanie, należy używać wyłącznie butli LPG przeznaczonych do użytku domowego, które są wyposażone w zawór bezpieczeństwa. Należy również podłączyć reduktor niskiego ciśnienia 30 mbar (bez regulacji) do zaworu butli i specjalnego węża do urządzeń LPG, uważając, aby nie doszło do wycieku lub uszkodzenia obwodu.
2. Gwinty regulatora ciśnienia są skierowane przeciwnie do ruchu wskazówek zegara.
3. Nigdy i pod żadnym pozorem nie należy pozostawiać grilla bez nadzoru.
4. Jeśli powstaje dużo płomieni, które nie gasną samoczynnie, należy zamknąć butlę z gazem. Jeśli pozwolisz, aby ogień się palił, istnieje możliwość, że farba grilla ulegnie spaleni. Przed każdym rozgrzaniem należy wyczyścić kolektor tłuszczu, rozpraszacze ciepła (tłumiki płomieni) i resztę grilla z tłuszczów, ponieważ mogą się one zapalić i zniszczyć grill.
5. Rozpraszacze ciepła (poskramiacze płomieni) muszą być czyszczone po każdym użyciu, podobnie jak tacka do zbierania tłuszczu poprzez zanurzenie w gorącej wodzie z dodatkiem płynu do mycia naczyń. Nie należy skrobać powierzchni, na których znajdują się przyklejone tłuszcze, ponieważ ich farba ulega zniszczeniu.
6. W przypadku rozległych płomieni spowodowanych przez tłuszcze w rozpraszaczach ciepła (rurkach płomieniowych) może dojść do pogorszenia jakości barwnika porcelanowego.
7. Jeśli zakupiony model ma odlewane kratki, nie należy wlewać zimnej wody, gdy kratki są jeszcze gorące, ponieważ mogą pęknąć.
8. Nie używaj żrących płynów ani sprayów czyszczących.
9. Przeczytaj uważnie instrukcje!
10. Wszelkie uszkodzenia spowodowane nieprzestrzeganiem powyższego lub nieprzestrzeganiem niezbędnego regularnego czyszczenia nie będą objęte gwarancją.



## Instrukcje bezpieczeństwa

Zachowaj niniejszą instrukcję obsługi na przyszłość!

**TEN GRILL GAZOWY JEST PRZEZNACZONY WYŁĄCZNIE DO UŻYTKU NA ZEWNĄTRZ!**

**OSTRZEŻENIE: W CELU ZAPEWNIENIA BEZPIECZNEGO I PRAWIDŁOWEGO DZIAŁANIA NALEŻY PODŁĄCZYĆ JEDNOKIERUNKOWY REGULATOR CIŚNIENIA (BRAK W ZESTAWIE).**

### Ważne:

**PRZED PRZYSTĄPIENIEM DO OBSŁUGI URZĄDZENIA NALEŻY ZAPOZNAĆ SIĘ ZE WSZYSTKIMI INSTRUKCJAMI I CZYNNOŚCIAMI. NALEŻY WYKONYWAĆ WSZYSTKIE CZYNNOŚCI W KOLEJNOŚCI. NIGDY NIE POZWALAĆ DZIECIOM NA OBSŁUGĘ URZĄDZENIA.**

### Ostrzeżenia:

Używać wyłącznie na zewnątrz.

Przed użyciem urządzenia należy przeczytać instrukcję. Dostępne części mogą być bardzo gorące, dlatego należy trzymać z dala od nich małe dzieci. Nie przesuwaj urządzenia podczas użytkowania.

Po zakończeniu użytkowania należy wyłączyć dopływ gazu do butli gazowej. Wszelkie modyfikacje urządzenia mogą być niebezpieczne.

Części zaplombowane przez producenta lub jego przedstawiciela nie mogą być zmieniane przez użytkownika.

Nie wolno modyfikować urządzenia.

### Uwaga:

Niektóre części urządzenia nagrzewają się do wysokich temperatur, dlatego należy zachować szczególną ostrożność w przypadku obecności dzieci lub osób starszych.

### Dla bezpieczeństwa:

Nie przechowuj ani nie używaj benzyny lub paliw metylowych ani żadnych innych łatwopalnych oparów i cieczy w pobliżu tego lub innego urządzenia.

Nigdy nie rozpalaj grilla gazowego benzyną lub podobnymi płynami!

Sugestia: użytkownik nie powinien zmieniać zestawu zapakowanego przez producenta.

Niektórzy sprzedawcy gazu płynnego mogą napełniać butle z gazem płynnym do użytku w grillu powyżej pojemności napełnienia butli. Takie "przepełnienie" może stworzyć niebezpieczne warunki. "Przepełnione" zbiorniki mogą wytworzyć nadmierne ciśnienie. Jako urządzenie zabezpieczające, zawór nadmiarowy ciśnienia w zbiorniku odpowietrzy opary gazu, aby zmniejszyć to nadciśnienie. Opary te są łatwopalne i mogą ulec zapłonowi. Aby zmniejszyć to zagrożenie, należy podjąć następujące środki ostrożności:

A. Podczas napełniania zbiornika należy upewnić się, że dostawca napełnił go do nie więcej niż 80% jego całkowitej pojemności.

B. Jeśli posiadasz lub używasz dodatkowego zapasowego zbiornika lub masz odłączony zbiornik, nigdy nie powinieneś przechowywać go w pobliżu lub pod grillem lub skrzynką grzewczą, lub w pobliżu jakiegokolwiek innego źródła zapłonu lub ciepła.

### Niebezpieczeństwa:

Jeśli poczujesz zapach gazu:

1. Odciąć dopływ gazu do urządzenia
2. Gaszenie otwartego ognia
3. Otwarta pokrywa
4. Jeśli zapach będzie się utrzymywał, należy trzymać się z dala od urządzenia i wezwać lokalną straż pożarną.

Dane techniczne	
BBQ1800	
Moc	<ul style="list-style-type: none"> <li>➤ 2,5 KW na palnik</li> <li>➤ łącznie: 7,5 KW</li> </ul>
Wymiary produktu	68x46x24 cm
Wymiary opakowania	70x49,5x22 cm
Cechy szczególne	3 palniki, emaliowana płyta grzewcza, automatyczny zapłon, pojemnik na tłuszcz
Regulator i wąż	Nie zawiera



Uwaga: -SB oznacza z palnikiem bocznym; Umożliwia umieszczenie patelni na palniku bocznym. (Średnica patelni wynosi maks.  $\Phi$  24 cm i min. x  $\Phi$  8 cm).

## Etapy montażu

Upewnij się, że grill jest prawidłowo zmontowany. Do każdego grilla dołączona jest szczegółowa instrukcja montażu, zawierająca konkretne procedury montażu dla każdego modelu. Należy dokładnie przestrzegać tych instrukcji, aby zapewnić prawidłowy i bezpieczny montaż grilla.

Uwaga: Chociaż dokładamy wszelkich starań, aby proces montażu był jak najłatwiejszy, nieodłączną cechą produkowanych części stalowych jest to, że narożniki i krawędzie mogą powodować skaleczenia, jeśli są niewłaściwie obsługiwane podczas procedur montażu. Należy zachować ostrożność podczas obchodzenia się z częściami podczas montażu. Zdecydowanie zaleca się ochronę rąk parą rękawic roboczych.

### Przygotowanie

Do obsługi tego grilla gazowego potrzebna będzie butla z gazem LPG i odpowiednie regulatory ciśnienia gazu. Regulatory powinny być zgodne z normą EN16129 w aktualnej wersji i przepisami krajowymi.

Dalsze instrukcje znajdują się w punkcie 6.

Wskazówki dotyczące oszczędzania energii:

- Skrócenie czasu otwierania pokrywy.
- Wyłączyć grill natychmiast po zakończeniu pieczenia.
- Rozgrzewaj grill gazowy tylko przez 10 do 15 minut. (Z wyjątkiem pierwszego użycia)
- Nie podgrzewać dłużej niż jest to zalecane.
- Nie należy używać ustawień wyższych niż wymagane.
- Podłącz wąż i regulator do zbiornika gazu po lewej stronie grilla gazowego, pamiętając, że zbiornik gazu musi być trzymany z dala od źródeł ciepła i w bezpiecznym miejscu. średnica węża wynosi 8-10 mm. Zalecana długość węża nie powinna przekraczać 1,5 m. Elastyczny wąż powinien być z g o d n y z odpowiednimi normami i lokalnymi przepisami.

## Instalacja

Po zakupie butli gazowej będziesz gotowy do skonfigurowania jej z grillem gazowym.

- Wymianę butli gazowej należy przeprowadzać z dala od wszelkich źródeł zapłonu. Umieść butlę gazową po lewej stronie grilla gazowego, nie należy jej umieszczać wewnątrz grilla, pamiętając, że butla musi być trzymana z dala od ciepła i w bezpiecznej pozycji.
- Gdy grill gazowy będzie gotowy do użycia, należy włożyć regulator do zaworu butli gazowej i mocno dokręcić.

Ostrzeżenie: Przed przystąpieniem do rozpalania grilla gazowego należy zapoznać się z instrukcją rozpalania i punktami ostrzegawczymi/bezpieczeństwa.

Sprawdź wąż przed każdym użyciem, szukając pęknięć, nacięć lub otarć. Jeśli okaże się, że wąż jest w jakikolwiek sposób uszkodzony, nie próbuj używać grilla gazowego. Podczas wymiany butli gazowej należy upewnić się, że w pobliżu nie znajdują się żadne źródła zapłonu, tj. ogień, papierosy, otwarty płomień itp. Upewnij się, że urządzenie jest wyłączone. Upewnij się, że wąż nie jest narażony na skręcanie, co wpłynie na przepływ gazu podczas instalacji grilla gazowego. Ponadto wąż nie może być nadmiernie naprężony i nie może dotykać żadnej części grilla gazowego, która może być gorąca.

- Należy wybrać elastyczny wąż, którego odporność na temperaturę jest wyższa niż 80 °C.
- Przewód elastyczny należy wymieniać co 2 lata. Wymiana przewodu elastycznego jest konieczna, gdy wymagają tego warunki krajowe.

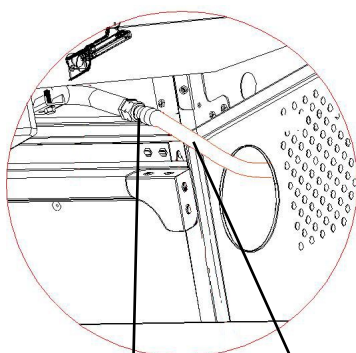
### Jak wymienić cylinder

Uwaga: Wyłącz wyłącznik cylindra (klucz nie jest wymagany).

Wysokość butli gazowej nie przekracza 80 cm, a szerokość mieści się w zakresie 35 cm.

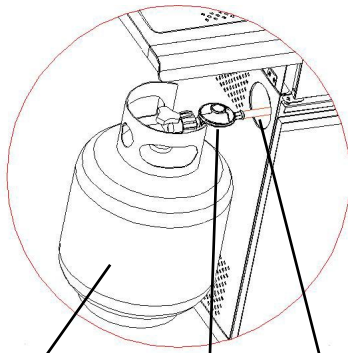
### Jak podłączyć butlę gazową

- Obróć pomarańczową nasadkę tak, aby strzałka wskazywała szczelinę w osłonie.
- Zdejmij pomarańczową nasadkę zabezpieczającą, wyciągając smyczk, a następnie ją wyjmując. Nie używaj narzędzi. Pozostaw nasadkę zawieszoną.
- Sprawdź, czy czarna podkładka uszczelniająca znajduje się wewnątrz zaworu. Podłącz regulator do zaworu.
- Przekręć przełącznik na butli gazowej zgodnie z ruchem wskazówek zegara, a następnie włącz grill gazowy zgodnie z instrukcją.



Złącze gazowe

Wąż



Butla gazowa

Regulator

Wąż

\*Dla produktu bez butli gazowej tylko przedział.

Ostrzeżenie: Zawsze sprawdzaj przewód gazowy pod kątem wycieków złącze z wodą z mydłem, kończąc wszystkie połączenia.

### Jak odłączyć butlę gazową

- Z wyjątkiem instalacji dwucylindrowych z zaworem przełączającym, należy zakręcić zawór gazu, jeśli jest on zamontowany w urządzeniu. Poczekaj, aż palnik i lampka kontrolna zgasną. W przypadku instalacji z zaworem przełączającym konieczne jest jedynie wyłączenie pustej butli.
- Załóż pomarańczową nasadkę zabezpieczającą na pustą butlę.

### Ostrzeżenia i punkty bezpieczeństwa

Przed rozpoczęciem korzystania z grilla gazowego należy zapoznać się z poniższymi punktami:

- Przed rozpoczęciem korzystania z urządzenia należy przeczytać instrukcję. Nieprzestrzeganie instrukcji może spowodować problemy podczas użytkowania.
- Dostępne części tego grilla gazowego mogą być bardzo gorące podczas użytkowania. Należy trzymać z dala od małych dzieci. Podczas obsługi szczególnie gorących elementów należy stosować środki ochronne.
- W przypadku wycieku gazu należy wyłączyć dopływ gazu do butli gazowej, zgasić otwarty płomień, otworzyć pokrywę, a jeśli wyciek nadal występuje, sprawdzić, czy nie ma uszkodzeń, słabych połączeń itp. Jeśli nie można rozwiązać problemu, należy natychmiast skontaktować się z lokalnym sprzedawcą gazu.
- Nie przesuwaj grilla gazowego podczas użytkowania.
- Nie używaj ani nie przechowuj żadnych płynów, oparów ani innych materiałów w pobliżu podczas korzystania z grilla gazowego.
- Ten grill gazowy może być używany wyłącznie na zewnątrz.
- Nie używaj otwartego ognia do sprawdzania wycieków gazu.
- Nie używaj grilla gazowego w przypadku wycieku gazu. Wyłącz dopływ gazu.
- Nie należy próbować odłączać żadnej części złącza gazowego, jeśli grill gazowy jest używany, na grillu gazowym lub regulatorze / butli gazowej.
- Podczas korzystania z grilla gazowego należy zachować ostrożność i nigdy nie pozostawiać go bez nadzoru. Po użyciu należy wyłączyć dopływ gazu na zbiorniku gazu.
- Grill gazowy należy czyścić po użyciu. Nie należy zasłaniać otworu paleniska w komorze zbiornika. Jeśli otwór ogniowy jest zablokowany, należy użyć okrągłego patyczka  $\Phi$  1,6 mm do pogłębiania.
- Podczas czyszczenia palnika lub zaworów należy uważać, aby nie powiększyć otworów palnika lub kryzy/dyszy.
- Nie należy używać tego grilla gazowego w garażu lub innym zamkniętym pomieszczeniu. Podczas użytkowania urządzenie należy trzymać z dala od materiałów łatwopalnych itp. Zalecamy zachowanie odległości co najmniej 0,5 do 1,0 metra od wszelkich materiałów łatwopalnych.
- Zalecamy, aby ten grill gazowy był serwisowany w lokalnym punkcie sprzedaży gazu co najmniej raz w roku przez kompetentnego inżyniera. Nie należy podejmować prób samodzielnego serwisowania urządzenia.
- Wszelkie modyfikacje urządzenia mogą być niebezpieczne. Nie należy podejmować prób nieautoryzowanej ingerencji w główne elementy sterujące grilla gazowego, tj. kurki gazowe, wtryskiwacze, zawory itp.



**OSTRZEŻENIE:** Czarny obszar uchwytu (patrz zdjęcie powyżej) stanie się gorący, gdy grill gazowy będzie używany, bądź ostrożny! Nie dotykaj czarnego obszaru.

### Środki ostrożności

- Po wykonaniu połączeń należy zawsze sprawdzić szczelność przewodu gazowego na złączu za pomocą wody z mydłem.
- Podczas zapalania palnika górna pokrywa musi być zawsze otwarta.
- Podczas gotowania na grillu należy używać rękawic kuchennych i solidnych narzędzi do grillowania gazowego z długimi uchwytami.
- Bądź przygotowany na wypadek wypadku lub pożaru. Należy wiedzieć, gdzie znajduje się apteczka pierwszej pomocy i gaśnice oraz jak z nich korzystać.
- Przewód zasilania elektrycznego i przewód doprowadzający paliwo należy trzymać z dala od rozgrzanych powierzchni.
- Zawsze gotuj z wielką starannością.
- Nie podgrzewać na grillu żadnych nieotwartych szklanych lub metalowych pojemników z żywnością. Ciśnienie może wzrosnąć i spowodować pęknięcie pojemnika, co może skutkować poważnymi obrażeniami ciała lub uszkodzeniem grilla.

### Instrukcja obsługi

Przeostrożenie: Podczas zapalania palnika pokrywa musi być otwarta!

Nie stawaj twarzą bezpośrednio nad grillem gazowym podczas jego rozpalania.

Twój grill gazowy będzie miał następującą metodę zapłonu:

Zapłon pilota gazu (palnik główny lub palnik główny z palnikiem bocznym): Przy wszystkich elementach sterujących gazem na grillu gazowym w pozycji "OFF" "WYŁĄCZONY", przekręć zawór butli gazowej do pozycji "ON" na regulatorze. Aby wytworzyć iskrę, należy nacisnąć pokrętko regulatora i przytrzymać je w tej pozycji przez 3-5 sekund, aby umożliwić przepływ gazu, a następnie przekręcić w kierunku przeciwnym do ruchu wskazówek zegara do pozycji "HIGH". Może to doprowadzić iskrę do rurki zapalającej palnika. Usłyszysz "trzask" zapalnika i zobaczysz pomarańczowy płomień wydobywający się z rurki zapalającej palnika po lewej stronie palnika. Przytrzymaj pokrętko sterowania palnikiem przez dwie sekundy po "pstryknięciu", co pozwoli na całkowity przepływ gazu w dół rury palnika i zapewni zapłon. Gdy palnik jest zapalony, sąsiednie palniki zapalą się krzyżowo, gdy ich elementy sterujące zostaną ustawione na "WYSOKI" Przy ustawieniu "High" płomień palnika powinien mieć około 12-20 mm długości i być co najmniej pomarańczowy. Obróć regulator gazu całkowicie w lewo, aby uzyskać ustawienie minimalne.

W przypadku trudności z rozpaleniem grilla gazowego po wykonaniu powyższych czynności, należy skontaktować się ze sprzedawcą w celu uzyskania porady.

Jeśli nie można użyć automatycznego zapłonu, należy zdjąć ruszt do gotowania i dyfuzor ciepła (płytę grzejną), a następnie obrócić zawór w kierunku przeciwnym do ruchu wskazówek zegara do 90°C, aby zapalić zapalniczką do grilla w odległości 5 mm od otworu palnika. Wymień ruszt do gotowania i dyfuzor ciepła (płytę grzejną), załóż ognioodporne i odporne na ciepło rękawice.

Ostrzeżenie: Jeśli palnik nadal się nie zapala, przekręć pokrętko sterowania palnikiem do pozycji "OFF" i odczekaj 5 minut, aby usunąć gaz przed ponownym zapaleniem.

## Przechowywanie

Butla z gazem musi być przechowywana na zewnątrz w dobrze wentylowanym miejscu i musi być odłączona od grilla gazowego, gdy nie jest używana. Przed próbą odłączenia butli gazowej od grilla gazowego należy upewnić się, że znajduje się ona na zewnątrz i z dala od wszelkich źródeł zapłonu.

Podczas korzystania z grilla gazowego po okresie przechowywania, przed użyciem należy sprawdzić, czy nie ma wycieków gazu i czy nie ma żadnych przeszkód w palniku itp. Postępuj również zgodnie z instrukcjami czyszczenia, aby upewnić się, że grill gazowy jest bezpieczny.

Jeśli grill gazowy jest przechowywany na zewnątrz, należy sprawdzić, czy wszystkie obszary pod panelem przednim są wolne od jakichkolwiek przeszkód (owadów itp.) Obszar ten musi być wolny, ponieważ może to wpłynąć na przepływ powietrza do spalania lub wentylacji.

## Instrukcje

czyszczenia Zaleca się konserwację grilla gazowego co 90 dni, ale absolutnie konieczne jest przeprowadzanie konserwacji co najmniej raz w roku. W ten sposób przedłużysz żywotność swojego grilla gazowego.

Grill gazowy można łatwo wyczyścić przy minimalnym wysiłku, wystarczy postępować zgodnie z poniższymi wskazówkami.

Rozwiązywanie problemów		
Sytuacje awaryjne	Możliwa przyczyna	Zapobieganie/rozwiązanie
Wyciek gazu z pękniętego / przeciętego / spalonego węża.	Uszkodzony wąż.	Wyłącz gaz przy zbiorniku LP, jeśli przewód jest przecięty lub pęknięty, wymień wąż. Patrz test przewodu zbiornika LP i podłączenie regulatora do LP.
Wyciek gazu z zaworu zbiornika LP.	Awaria mechaniczna spowodowana spoczynkiem lub niewłaściwą obsługą.	Zakręć zawór zbiornika LP.
Wyciek gazu z zaworu zbiornika LP.	Awaria zaworu zbiornika spowodowana niewłaściwą obsługą lub usterką mechaniczną.	Zakręć zawór zbiornika LP. Zwróć zbiornik LP do dostawcy gazu.
Wyciek gazu między zbiornikiem LP a przyłączem regulatora.	Nieprawidłowa instalacja, nieszczelne połączenie, uszkodzenie gumowej uszczelki.	Zakręć zawór zbiornika LP, wyjmij regulator z butli i sprawdź wzrokowo gumową uszczelkę pod kątem uszkodzeń, patrz test zbiornika LP i podłączenie regulatora do zbiornika LP.
Ogień przedostający się przez panel sterowania.	Pożar w sekcji rury palnika z powodu częściowego zablokowania.	Wyłącz pokrętła sterowania i zawór zbiornika LP.  Po wygaśnięciu ognia i ostygnięciu grilla należy wyjąć palnik i sprawdzić, czy nie ma w nim gniazd pajków lub rdzy, patrz strony dotyczące zagrożeń naturalnych i czyszczenia zespołu palnika.
Pożar tłuszczu lub nadmierne płomienie nad powierzchnią gotowania.	Zbyt duże nagromadzenie tłuszczu w obszarze palnika.	Wyłącz zbiornik LP. Pozostaw otwartą pokrywę, aby płomienie wygasły. Po ostygnięciu wyczyść cząstki jedzenia i nadmiar tłuszczu z wnętrza paleniska, pojemnika na tłuszcz i innych powierzchni.
Palnik nie zapala się przy użyciu zapalnika.	Problemy z gazem	
	1. Próba zapalenia niewłaściwego palnika.	1. Patrz instrukcje na panelu sterowania i w sekcji. Użytkowanie i pielęgnacja.
	2. Palnik nie jest połączony z zaworem sterującym.	2. Upewnij się, że zawór znajduje się wewnątrz rur palnika.
	3. Przeszkoda w palniku.	3. Upewnij się, że przewody palnika nie są zatkane pajęczynami lub innymi przeszkodami.
Palnik nie zapala się przy użyciu zapalnika.	Problemy elektryczne	
	1. Elektroda pęknięta lub złamana; "iskry przy pęknięciu". 2. Końcówka elektrody nie znajduje się we właściwej pozycji. 3. Drut i/lub elektroda pokryte gotującym się tłuszczem pozostałości. 4. Poluzowane lub odłączone przewody. 5. Zwarcie przewodów (iskrzyenie) między zapalnikiem i elektrodą. 6. Przycisk zacina się na dole, iskrząc między zapłonikiem a elektrodą.	1. Wymień elektrodę. 2. Końcówka elektrody powinna być skierowana w stronę otworu w palniku. Odległość powinna wynosić od 1/8" do 3/16". W razie potrzeby wyregulować. 3. Wyczyść przewód lub elektrodę alkoholem i czystym wacikiem. 4. Ponownie podłącz przewody lub wymień zespół elektroda/przewód. 5. Wymień przewód zapalnika. 6. Wymień zapalnik. 7. Sprawdź izolację przewodów i poprawność połączeń. Wymień przewody, jeśli izolacja jest uszkodzona.
Palnik nie zapala się.	Patrz "Problemy z gazem" na poprzedniej stronie. 2. Niewłaściwa metoda zapalania zapalek.	1. Patrz sekcja "Zapłon pilota sterowania gazem" w części dotyczącej użytkowania i opieka.

Nagły spadek przepływu gazu lub niski płomień.	1. Nagromadzenie smaru. 2. Nadmiar tłuszczu w mięsie. 3. Zbyt wysoka temperatura gotowania.	1. Wyczyść palniki i wnętrze grilla / paleniska. 2. Przed grillowaniem należy usunąć tłuszcz z mięsa. 3. Dostosuj (obniż) temperaturę.
Płomienie wybuchają.	Silny lub porywisty wiatr. Niski poziom gazu LP. Zadziałał zawór nadmiernego przepływu.	Obrócić przednią część grilla w kierunku wiatru lub zwiększyć wysokość płomienia. Uzupełnić zbiornik LP. Patrz "nagły spadek przepływu gazu" powyżej.
Trwały pożar smaru.	Tłuszcz uwięziony przez nagromadzoną żywność wokół systemu palnika.	Ustaw pokrętła w położeniu OFF. Wyłącz gaz na zbiorniku LP. Pozostaw pokrywę na miejscu i pozwól, aby ogień się wypalił. Po ostygnięciu grilla wyjmij i wyczyść wszystkie części.
Błysk zwrotny (ogień w rurach palnika).	Palnik i rurki palnika są zablokowane.	Ustaw pokrętła w położeniu OFF, wyczyść palnik i/lub rury palnika. Patrz rozdział dotyczący czyszczenia palnika w instrukcji obsługi i konserwacji.
Rozbłysk.	1. Nagromadzenie smaru. 2. Nadmiar tłuszczu w mięsie. 3. Zbyt wysoka temperatura gotowania	1. Wyczyść palniki i wnętrze grilla / paleniska. 2. Przed grillowaniem należy usunąć tłuszcz z mięsa. 3. Dostosuj (obniż) temperaturę.
Nie można napełnić zbiornika LP.	Niektórzy dealerzy mają starsze dysze napełniające, które są zużyte wążki.	Zużyte dysze nie mają wystarczającego "zgrzyzu", aby zatrzasnąć zawór. Wypróbuj drugiego sprzedawcę LP.
Jeden palnik nie zapala się od innych palników.	Nagromadzenie tłuszczu lub cząstek żywności na końcu rurki odprowadzającej.	Wyczyść rurę odprowadzającą szczotką drucianą.

Jeśli problem nie został rozwiązany na podstawie powyższych informacji, należy skontaktować się z lokalnym sprzedawcą gazu.

- Włącz palnik na 15 do 20 minut. Przed kontynuowaniem upewnij się, że urządzenie jest zimne.
- Kratki powinny być okresowo czyszczone poprzez namaczanie i mycie w wodzie z mydłem.
- Wewnętrzne powierzchnie pokrywy obudowy grilla należy również umyć gorącą wodą z mydłem. Do usuwania uporczywych zabrudzeń należy używać szczotki drucianej, wełny stalowej lub zmywaka.
- Należy okresowo sprawdzać, czy palnik jest wolny od owadów i pajaków, które mogą zatkać układ gazowy, zakłócając przepływ gazu. Należy bardzo dokładnie wyczyścić zwężkę Venturiego na palniku, upewniając się, że nie ma żadnych przeszkód. Zalecamy wyczyszczenie obszaru zwężki Venturiego za pomocą środka do czyszczenia rur.
- Wszelkie modyfikacje tego urządzenia mogą być niebezpieczne i są niedozwolone.

#### Wskazówki dotyczące bezpieczeństwa grilla gazowego

Ustaw grill gazowy na bezpiecznej, równej powierzchni, z dala od łatwopalnych przedmiotów, takich jak drewniane ogrodzenia lub zwisające gałęzie drzew.

Nigdy nie używaj grilla gazowego w pomieszczeniach!

Po rozpaleniu nie należy przenosić grilla gazowego ani pozostawiać go bez nadzoru.

Dzieci i zwierzęta domowe należy trzymać w bezpiecznej odległości od grilla gazowego.

Trzymaj pod ręką gaśnicę.

Grill gazowy nagrzewa się podczas użytkowania, dlatego pokrywy itp. należy obsługiwać w rękawicach.

Przed przechowywaniem należy upewnić się, że urządzenie całkowicie ostygło.

Używać tylko na zewnątrz!

Przed użyciem grilla gazowego należy przeczytać instrukcję.

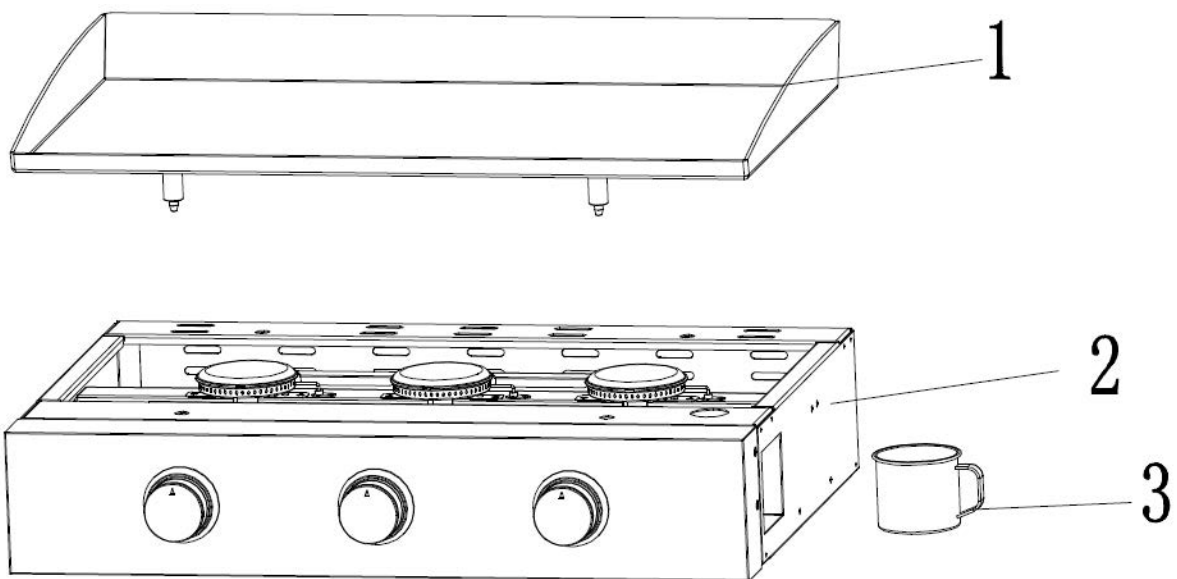
Ocieniane części mogą być bardzo gorące, należy trzymać z dala od małych dzieci!

Nie przesuwaj grilla gazowego podczas użytkowania.

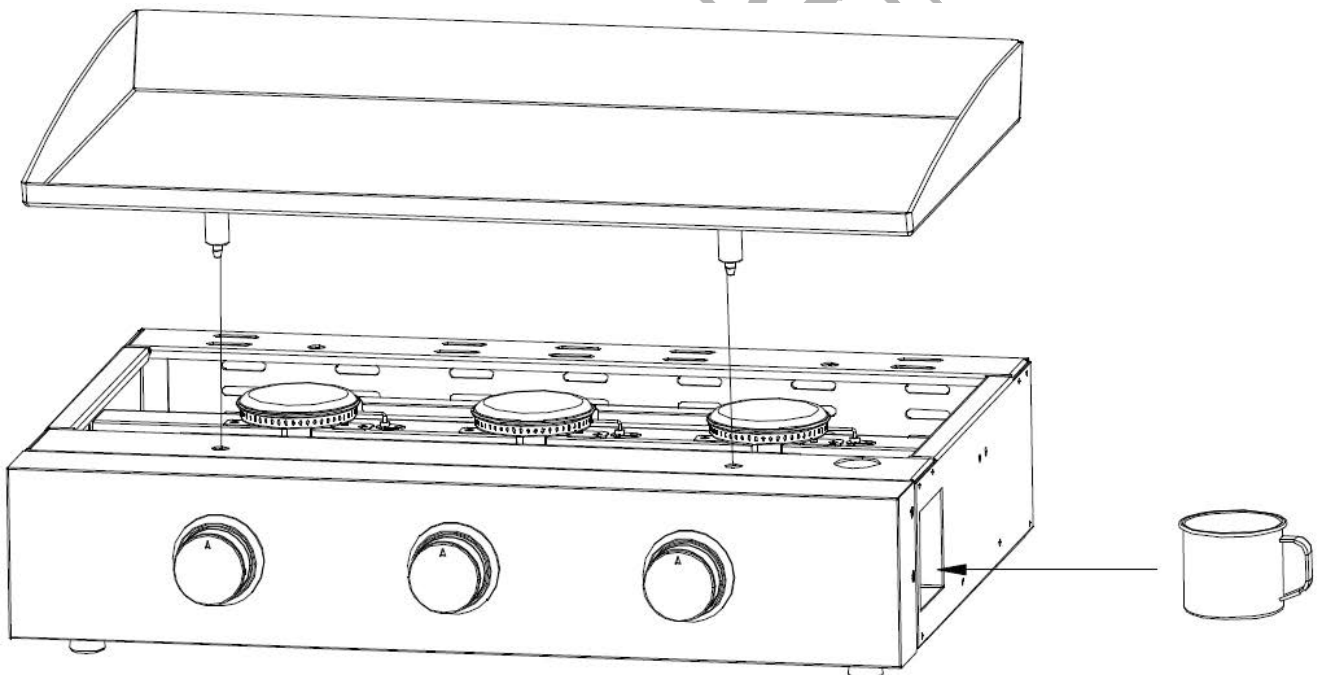
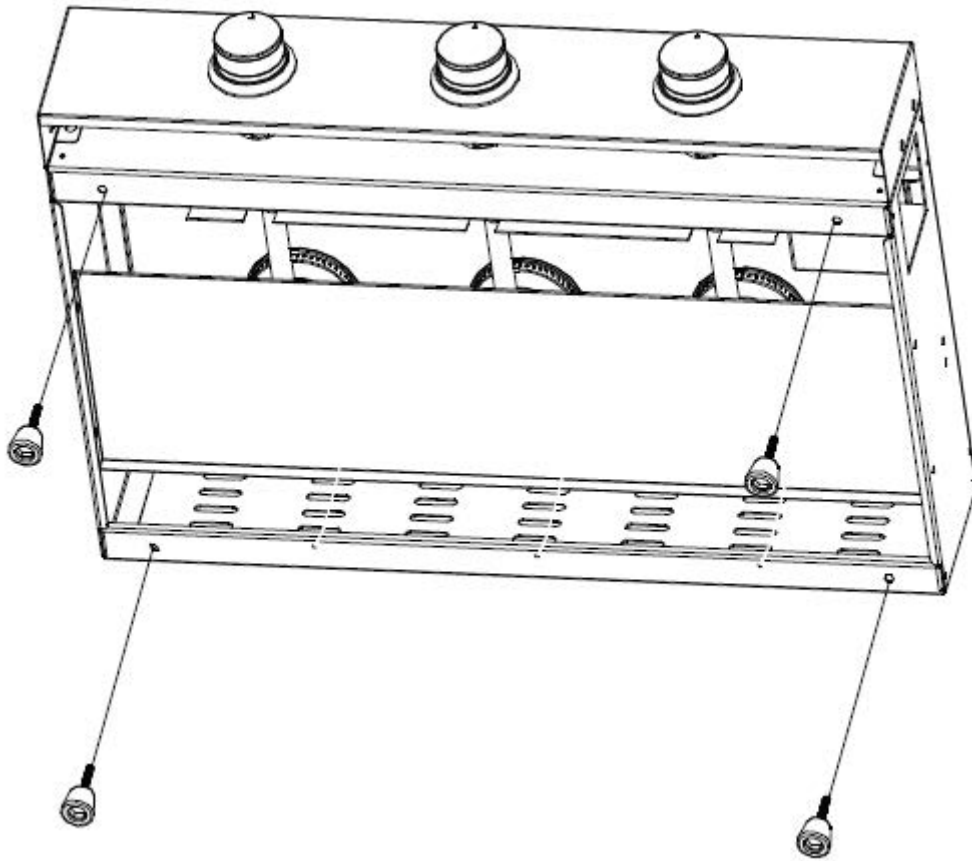
Po użyciu należy wyłączyć dopływ gazu na zbiorniku gazu.

Wszelkie modyfikacje urządzenia mogą być niebezpieczne i niedozwolone.

Centrum konserwacji: w celu przeprowadzenia konserwacji produkcyjnej należy udać się do lokalnego dealera.



1.		X 1
2.		X 1
3.		X 1
4.		X 4



## ΕΓΓΥΗΣΗ

EL

Οι ψησταριές έχουν κατασκευαστεί με αυστηρά πρότυπα που έχει θέσει η εταιρεία και τα οποία συνάδουν με τα ευρωπαϊκά πρότυπα ποιότητας. Για τις ψησταριές της εταιρείας μας παρέχεται περίοδος εγγύησης 24 μηνών. Η ισχύς της εγγύησης ξεκινά από την ημερομηνία αγοράς του προϊόντος. Αποδεικτικό του δικαιώματος της εγγύησης αποτελεί το παραστατικό αγοράς της ψησταριάς (απόδειξη λιανικής ή τιμολόγιο). Σε καμία περίπτωση η εταιρεία δεν καλύπτει τη σχετική δαπάνη ανταλλακτικών και εργασίας εάν και εφόσον δε συνοδεύεται από αντίγραφο του παραστατικού. Σε περίπτωση που η επισκευή πρέπει να γίνει στο service μας η δαπάνη μεταφοράς (από και προς) βαρύνει εξ' ολοκλήρου τον αποστολέα. Οι ψησταριές αποστέλλονται για την επισκευή τους στην εταιρεία ή σε εξουσιοδοτημένο συνεργείο με τον ενδεδειγμένο τρόπο καθώς και μέσω μεταφοράς.

### ΕΞΑΙΡΕΣΕΙΣ ΚΑΙ ΠΕΡΙΟΡΙΣΜΟΙ ΤΗΣ ΕΓΓΥΗΣΗΣ:

- 1) Φυσιολογική φθορά λόγω χρήσης (αναλώσιμα εξαρτήματα).
- 2) Ζημιές που οφείλονται γενικώς σε μη συμμόρφωση με τις οδηγίες του κατασκευαστή.
- 3) Ελλιπής συντήρηση.
- 4) Χρήση μη ενδεδειγμένων καθαριστικών ή εξαρτημάτων.
- 5) Παραχώρηση προϊόντος σε τρίτο πρόσωπο χωρίς επιβάρυνση.
- 6) Βλάβη ή κακή λειτουργία που έχει προκύψει από πλημμελή καθαρισμό της ψησταριάς.
- 7) Επαφή της ψησταριάς με χημικά, ή βλάβη από υγρασία, διάβρωση.
- 8) Ψησταριές που έχουν υποστεί τροποποιήσεις – αλλαγές ή στις οποίες έχει γίνει επέμβαση από μη εξουσιοδοτημένο συνεργείο.
- 9) Σπασμένα μέρη/εξαρτήματα εξαιτίας μη ορθής χρήσης.
- 10) Ψησταριές που χρησιμοποιούνται για ενοικίαση.

Η εγγύηση καλύπτει αποκλειστικά τη δωρεάν αντικατάσταση του εξαρτήματος που έχει κατασκευαστικό ελάττωμα ή αστοχία υλικού. Σε περίπτωση έλλειψης ανταλλακτικού η εταιρεία διατηρεί το δικαίωμα αντικατάστασης της ψησταριάς με άλλο αντίστοιχο μοντέλο. Μετά τη διεκπεραίωση εγγύησης δεν επιμηκύνεται ούτε ανανεώνεται ο χρόνος εγγύησης της ψησταριάς. Αντικατάσταση ανταλλακτικού με χρέωση επισκευής, καλύπτεται από 1 χρόνο εγγύηση καλής λειτουργίας, με προϋπόθεση την τήρηση των όρων εγγύησης. Τα ανταλλακτικά ή οι ψησταριές οι οποίες αντικαθίστανται παραμένουν στην κατοχή της εταιρείας μας. Άλλες απαιτήσεις, εκτός από αυτές που αναφέρονται σε αυτό το έντυπο εγγύησης δεν ισχύουν. Για την εγγύηση αυτή ισχύει το ελληνικό Δίκαιο.

## WARRANTY

EN

The gas grills have been manufactured according to strict standards, set by our company, which are aligned with the respective European quality standards. The gas grills of our company are provided with a warranty period of 24 months. The warranty is valid from the date of purchase of the product. Proof of the warranty right is the purchase document of the gas grill (retail receipt or invoice). Under no circumstances shall the company cover the relevant cost of spare parts and respective required working hours unless a copy of the purchase document is presented. In case the repair has to be done by our service department the cost of transportation (to and from) is entirely borne by the sender (client). The gas grills must be sent for repair to the company or to an authorized workshop in the appropriate way and means of transport.

### WARRANTY EXEMPTIONS AND RESTRICTIONS:

- 1) Spare parts that wear out naturally as a consequence of being used (expendable parts).
- 2) Gas grills damaged as a result of non-compliance with the instructions of the manufacturer.
- 3) Gas grills poorly maintained.
- 4) Use of improper detergents or accessories.
- 5) Gas grills given to third entities free of charge.
- 6) Damage or malfunction resulting from improper cleaning procedure of the grill gas.
- 7) Contact of the grill gas with chemicals, or damage as a result of moisture or corrosion.
- 8) Gas grills that have been modified or opened by unauthorized personnel.
- 9) Broken parts/components as a result of inappropriate use.
- 10) Gas grills used for rent.

The warranty covers only the free of charge replacement of the component that presents a manufacturing defect or material failure. In case of lack of a specific spare part the company reserves the right to replace the gas grill with another corresponding model. After all warranty procedures have been concluded, the warranty period of the gas grill shall not be extended or renewed. Replacement of a spare part with repair charge is covered by a 1 year warranty of good operation, subject to compliance with the warranty terms. The spare parts or gas grills that are replaced remain in the possession of our company. Requirements, other than those mentioned in this warranty form, regarding gas grills repairs or damage thereof, do not apply. Greek law and relative regulations apply to this warranty.

## GARANTIE

FR

Les grils à gaz ont été fabriqués conformément aux normes strictes établies par notre société, qui sont alignées sur les normes de qualité européennes respectives. Les barbecues à gaz de notre société bénéficient d'une période de garantie de 24 mois. La garantie est valable à partir de la date d'achat du produit. La preuve du droit à la garantie est le document d'achat du gril à gaz (ticket de caisse ou facture). La société ne couvrira en aucun cas le coût des pièces de rechange et des heures de travail nécessaires si une copie du document d'achat n'est pas présentée. Si la réparation doit être effectuée par notre service après-vente, les frais de transport (aller et retour) sont entièrement à la charge de l'expéditeur (client). Les grils à gaz doivent être envoyés pour réparation à l'entreprise ou à un atelier agréé de la manière et par le moyen de transport appropriés.

### EXEMPTIONS ET RESTRICTIONS DE GARANTIE:

- 1) Les pièces de rechange qui s'usent naturellement en raison de leur utilisation (pièces consommables).
- 2) Grils à gaz endommagés suite au non-respect des instructions du fabricant.
- 3) Grils à gaz mal entretenus.
- 4) Utilisation de détergents ou d'accessoires inappropriés.
- 5) Grils à gaz cédés gratuitement à des tiers.
- 6) Dommages ou dysfonctionnements résultant d'une procédure de nettoyage inappropriée du gril à gaz.
- 7) Contact du gaz du gril avec des produits chimiques, ou dommages dus à l'humidité ou à la corrosion.
- 8) Les grils à gaz qui ont été modifiés ou ouverts par des personnes non autorisées.
- 9) Pièces/composants cassés à la suite d'une utilisation inappropriée.
- 10) Les barbecues à gaz utilisés en location.

La garantie couvre uniquement le remplacement gratuit du composant qui présente un défaut de fabrication ou une défaillance matérielle. En cas d'absence d'une pièce de rechange spécifique, l'entreprise se réserve le droit de remplacer le gril à gaz par un autre modèle correspondant. Après la conclusion de toutes les procédures de garantie, la période de garantie du gril à gaz ne sera ni prolongée ni renouvelée. Le remplacement d'une pièce de rechange avec frais de réparation est couvert par une garantie de bon fonctionnement d'un an, sous réserve du respect des conditions de garantie. Les pièces de rechange ou les grils à gaz remplacés restent en possession de notre société. Les exigences, autres que celles mentionnées dans le présent formulaire de garantie, concernant les réparations ou les dommages causés aux grils à gaz, ne s'appliquent pas. La loi grecque et les réglementations correspondantes s'appliquent à cette garantie.

## GARANZIA

IT

Le griglie a gas sono state prodotte secondo i rigorosi standard stabiliti dalla nostra azienda, che sono allineati con i rispettivi standard di qualità europei. Le griglie a gas della nostra azienda sono coperte da una garanzia di 24 mesi. La garanzia è valida dalla data di acquisto del prodotto. La prova del diritto alla garanzia è il documento di acquisto del grill a gas (scontrino fiscale o fattura). In nessun caso l'azienda coprirà il relativo costo dei pezzi di ricambio e delle rispettive ore di lavoro necessarie se non viene presentata una copia del documento di acquisto. Nel caso in cui la riparazione debba essere effettuata dal nostro servizio di assistenza, i costi di trasporto (andata e ritorno) sono interamente a carico del mittente (cliente). Le griglie a gas devono essere inviate per la riparazione all'azienda o a un'officina autorizzata con le modalità e i mezzi di trasporto appropriati.

### ECCEZIONI E LIMITAZIONI ALLA GARANZIA:

- 1) Parti di ricambio che si usano naturalmente in seguito all'utilizzo (parti sacrificabili).
- 2) Griglie a gas danneggiate a causa del mancato rispetto delle istruzioni del produttore.
- 3) Griglie a gas sottoposte a scarsa manutenzione.
- 4) Utilizzo di detersivi o accessori non appropriati.
- 5) Griglie a gas cedute a terzi a titolo gratuito.
- 6) Danni o malfunzionamenti derivanti da un'impropria procedura di pulizia del gas del grill.
- 7) Contatto del gas della griglia con sostanze chimiche o danni dovuti a umidità o corrosione.
- 8) Griglie a gas modificate o aperte da personale non autorizzato.
- 9) Rottura di parti/componenti a causa di un uso improprio.
- 10) Griglie a gas utilizzate per il noleggio.

La garanzia copre solo la sostituzione gratuita del componente che presenta un difetto di fabbricazione o di materiale. In caso di mancanza di un pezzo di ricambio specifico, l'azienda si riserva il diritto di sostituire il grill a gas con un altro modello corrispondente. Una volta concluse tutte le procedure di garanzia, il periodo di garanzia del grill a gas non potrà essere esteso o rinnovato. La sostituzione di un pezzo di ricambio con spese di riparazione è coperta da una garanzia di 1 anno di buon funzionamento, a condizione che vengano rispettati i termini della garanzia. I pezzi di ricambio o i grill a gas sostituiti rimangono in possesso della nostra azienda. Non si applicano requisiti diversi da quelli menzionati nel presente modulo di garanzia per quanto riguarda la riparazione o il danneggiamento di griglie a gas. La legge greca e le relative norme si applicano alla presente garanzia.

## GARANCIA

AL

Grilat e gazit janë prodhuar sipas standardeve strikte, të vendosura nga kompania jonë, të cilat janë në përputhje me standardet përkatëse evropiane të cilësisë. Grilat e gazit të kompanisë sonë janë të pajisura me një periudhë garancie 24 muaj. Garancia është e vlefshme që nga data e blerjes së produktit. Dëshmi e të drejtës së garancisë është dokumenti i blerjes së skarës së gazit (faturë me pakicë ose faturë). Në asnjë rrethanë kompania nuk do të mbulojë koston përkatëse të pjesëve të këmbimit dhe orët përkatëse të kërkua të punës, përveç nëse paraqitet një kopje e dokumentit të blerjes. Në rast se riparimi duhet të bëhet nga departamenti ynë i shërbimit, kostoja e transportit (nga dhe nga) mbulohet tërësisht nga dërguesi (klienti). Grilat e gazit duhet të dërgohen për riparim në kompani ose në një punishte të autorizuar në mënyrën dhe mjetet e duhura të transportit.

### PËRJASHTIMET DHE KUFIZIMET E GARANCISË:

- 1) Pjesë këmbimi që konsumohen natyrshëm si pasojë e përdorimit (pjesë shpenzuese).
- 2) Grilat e gazit të dëmtuara si rezultat i mosrespektimit të udhëzimeve të prodhuesit.
- 3) Grilat e gazit të mirëmbajtura keq.
- 4) Përdorimi i detergjenteve ose aksesoreve të papërshtatshëm.
- 5) Grilat e gazit që u jepen personave të tretë pa pagesë.
- 6) Dëmtimi ose mosfunksionimi i shkaktuar nga procedura e papërshtatshme e pastrimit të gazit të skarës.
- 7) Kontakti i gazit të skarës me kimikate, ose dëmtimi si rezultat i lagështisë ose korrozionit.
- 8) Grilat e gazit që janë modifikuar ose hapur nga personel i paautorizuar.
- 9) Pjesë/përbërës të thyer si rezultat i përdorimit të papërshtatshëm.
- 10) Grilat e gazit me qera.

Garancia mbulon vetëm zëvendësimin pa pagesë të komponentit që paraqet një defekt prodhim ose defekt material. Në rast të mungesës së një pjesë këmbimi të veçantë, kompania rezervon të drejtën të zëvendësojë grilën e gazit me një model tjetër përkatës. Pasi të jenë përfunduar të gjitha procedurat e garancisë, periudha e garancisë së grilës me gaz nuk do të zgjatet ose rinovohet. Zëvendësimi i një pjesë rezervë me tarifë riparimi mbulohet nga një garanci 1 vjeçare e funksionimit të mirë, në varësi të respektimit të kushteve të garancisë. Pjesët e këmbimit ose grilat e gazit që ndërrohen mbeten në posedim të kompanisë sonë. Kërkesat, përveç atyre të përmendura në këtë formular garancie, në lidhje me riparimin e grilave me gaz ose dëmtimin e tyre, nuk zbatohen. Ligji grek dhe rregulloret përkatëse zbatohen për këtë garanci.

## GARANCIA

SLO

Plinski žari so izdelani v skladu s strogimi standardi, ki jih je določilo naše podjetje in so usklajeni z ustreznimi evropskimi standardi kakovosti. Plinski žari našega podjetja imajo 24-mesečno garancijsko dobo. Garancija velja od datuma nakupa izdelka. Dokazilo o pravici do garancije je dokument o nakupu plinskega žara (maloprodajni račun ali račun). Podjetje v nobenem primeru ne krije ustreznih stroškov nadomestnih delov in ustreznih zahtevanih delovnih ur, če ni predložena kopija nakupnega dokumenta. Če mora popravilo opraviti naš servisni oddelek, stroške prevoza (do in nazaj) v celoti krije pošiljatelj (stranka). Plinski žari morajo biti poslani v popravilo podjetju ali pooblaščenim servisnim delavnicam na ustrezen način in z ustreznim prevoznim sredstvom.

### GARANCIJSKE IZJEME IN OMEJITVE:

- 1) Rezervni deli, ki se naravno obrabijo zaradi uporabe (potrošni deli).
- 2) Plinski žari, ki so poškodovani zaradi neupoštevanja navodil proizvajalca.
- 3) Plinski žari, ki so slabo vzdrževani.
- 4) Uporaba neustreznih čistilnih sredstev ali dodatkov.
- 5) Plinski žari, ki so bili brezplačno predani tretjim osebam.
- 6) Poškodbe ali okvare, ki so posledica nepravilnega postopka čiščenja plinskega žara.
- 7) Stik plinskega žara s kemikalijami ali poškodbe zaradi vlage ali korozije.
- 8) Plinski žari, ki jih je spremenilo ali odprlo nepooblaščen osebje.
- 9) Pokvarjeni deli/komponente, ki so posledica neustrezne uporabe.
- 10) Plinski žari, ki se uporabljajo za najem.

Garancija zajema le brezplačno zamenjavo sestavnega dela, pri katerem se pojavi proizvodna napaka ali okvara materiala. V primeru pomanjkanja specifičnega nadomestnega dela si podjetje pridržuje pravico, da plinski žar zamenja z drugim ustreznim modelom. Po zaključku vseh garancijskih postopkov se garancijski rok plinskega žara ne podaljša ali obnovi. Za zamenjavo nadomestnega dela z nadomestilom za popravilo velja enoletna garancija za dobro delovanje, če so izpolnjeni garancijski pogoji. Zamenjani nadomestni deli ali plinski žari ostanejo v lasti našega podjetja. Zahteve, razen tistih, ki so navedene v tem garancijskem obrazcu, v zvezi s popravili plinskih žarov ali njihovimi poškodbami, ne veljajo. Za to garancijo velja grška zakonodaja in ustrezni predpisi.

## GARANCIJE

SR

Gasni roštilji su proizvedeni po strogim standardima koje je postavila naša kompanija, a koji su usklađeni sa odgovarajućim evropskim standardima kvaliteta. Na gasne roštilje naše kompanije dajemo garanciju od 24 meseca. Garancija važi od dana kupovine proizvoda. Dokaz o garantnom pravu je kupovina gasnog roštilja (maloprodajni račun ili faktura). Preduzeće ni pod kojim okolnostima neće pokriti relevantne troškove rezervnih delova i odgovarajuće radno vreme osim ako se ne priloži kopija dokumenta o kupovini. U slučaju da popravku treba da uradi naš servis, trošak transporta (do i od) u potpunosti snosi pošiljalac (klijent). Gasni roštilji se moraju poslati na popravku u firmu ili u ovlašćenu radionicu na odgovarajući način i prevozno sredstvo.

### IZUZEĆA I OGRANIČENJA GARANCIJE:

- 1) Rezervni delovi koji se prirodno troše kao posledica korišćenja (potrošni delovi).
- 2) Gasni roštilji oštećeni kao posledica nepoštovanja uputstava proizvođača.
- 3) Gasni roštilj loše održavan.
- 4) Upotreba neodgovarajućih deterdženata ili pribora.
- 5) Gasni roštilj dati trećim licima bez naknade.
- 6) Oštećenje ili kvar nastao usled nepravilnog postupka čišćenja roštilj gasa.
- 7) Dodir gasa za roštilj sa hemikalijama, ili oštećenja usled vlage ili korozije.
- 8) Gasni roštilji koji su modifikovani ili otvoreni od strane neovlašćenog osoblja.
- 9) Polomljeni delovi/komponente kao rezultat nepravilne upotrebe.
- 10) Gasni roštilji koji se koriste za iznajmljivanje.

Garancija pokriva samo besplatnu zamenu komponente koja predstavlja proizvodni nedostatak ili kvar materijala. U slučaju nedostatka određenog rezervnog dela kompanija zadržava pravo da zameni gasni roštilj drugim odgovarajućim modelom. Nakon završetka svih garantnih postupaka, garantni rok gasnog roštilja se ne može produžavati niti obnavljati. Zamena rezervnog dela uz naknadu za popravku je pokrivena garancijom od 1 godine na dobar rad, uz poštovanje uslova garancije. Rezervni delovi ili gasni roštilji koji su zamenjeni ostaju u posedu naše kompanije. Zahtevi, osim onih navedenih u ovom obrascu garancije, u vezi sa popravkom ili oštećenjem roštilja na gas, ne važe. Na ovu garanciju se primenjuju grčki zakoni i odgovarajući propisi.

## ZÁRUKA

SK

Plynové grily boli vyrobené podľa prísnych noriem stanovených našou spoločnosťou, ktoré sú v súlade s príslušnými európskymi normami kvality. Na plynové grily našej spoločnosti poskytujeme záruku 24 mesiacov. Záruka platí od dátumu zakúpenia výrobku. Dokladom o nároku na záruku je doklad o kúpe plynového grilu (maloobchodný doklad alebo faktúra). Spoločnosť v žiadnom prípade neuhradí príslušné náklady na náhradné diely a príslušné požadované pracovné hodiny, ak nie je predložená kópia dokladu o kúpe. V prípade, že opravu musí vykonať naše servisné oddelenie, náklady na dopravu (tam a späť) znáša v plnej miere odosielateľ (zákazník). Plynové grily musia byť zaslané na opravu do spoločnosti alebo do autorizovaného servisu vhodným spôsobom a dopravným prostriedkom.

### VÝNIMKY A OBMEDZENIA TÝKAJÚCE SA ZÁRUKY:

- 1) Náhradné diely, ktoré sa prirodzene opotrebojú v dôsledku používania (spotrebné diely).
- 2) Plynové grily poškodené v dôsledku nedodržania pokynov výrobcu.
- 3) Plynové grily nedostatočne udržiavané.
- 4) Používanie nevhodných čistiacich prostriedkov alebo príslušenstva.
- 5) Plynové grily bezplatne poskytnuté tretím subjektom.
- 6) Poškodenie alebo porucha v dôsledku nesprávneho postupu čistenia plynového grilu.
- 7) Kontakt grilovacieho plynu s chemikáliami alebo poškodenie v dôsledku vlhkosti alebo korózie.
- 8) Plynové grily, ktoré boli upravené alebo otvorené neoprávnenými osobami.
- 9) Poškodené časti/komponenty v dôsledku nevhodného používania.
- 10) Plynové grily používané na prenájom.

Záruka sa vzťahuje len na bezplatnú výmenu komponentu, ktorý vykazuje výrobnú chybu alebo poruchu materiálu. V prípade nedostatku špecifikovaného náhradného dielu si spoločnosť vyhradzuje právo vymeniť plynový gril za iný zodpovedajúci model. Po ukončení všetkých záručných postupov sa záručná doba plynového grilu nepredlžuje ani neobnovuje. Na výmenu náhradného dielu s poplatkom za opravu sa vzťahuje 1-ročná záruka dobrej prevádzky pri dodržaní záručných podmienok. Vymenené náhradné diely alebo plynové grily zostávajú vo vlastníctve našej spoločnosti. Iné požiadavky, ako sú uvedené v tomto záručnom formulári, týkajúce sa opráv plynových grilov alebo ich poškodenia, sa neuplatňujú. Na túto záruku sa vzťahujú grécke zákony a príslušné predpisy.

## ГАРАНЦИЯ

BG

Газовите скари са произведени в съответствие със строги стандарти, установени от нашата компания, които са в съответствие със съответните европейски стандарти за качество. Газовите скари на нашата компания се предлагат с гаранционен срок от 24 месеца. Гаранцията е валидна от датата на закупуване на продукта. Доказателство за правото на гаранция е документът за закупуване на газовия грил (касова бележка от магазин или фактура). При никакви обстоятелства дружеството не покрива съответните разходи за резервни части и съответните необходими работни часове, ако не бъде представено копие от документа за покупка. В случай че ремонтът трябва да бъде извършен от нашия сервизен отдел, разходите за транспорт (до и от) се поемат изцяло от изпращача (клиента). Газовите скари трябва да бъдат изпратени за ремонт в компанията или в авторизиран сервиз по подходящ начин и с подходящо транспортно средство.

### ОСВОБОЖДАВАНЕ ОТ ГАРАНЦИЯ И ОГРАНИЧЕНИЯ:

- 1) Резервни части, които се износват по естествен начин вследствие на използването им (части за изхабяване).
- 2) Газови скари, повредени в резултат на неспазване на инструкциите на производителя.
- 3) Газови скари, които са лошо поддържани.
- 4) Използване на неподходящи почистващи препарати или аксесоари.
- 5) Газови скари, предоставени безвъзмездно на трети лица.
- 6) Повреда или неизправност в резултат на неправилна процедура за почистване на газовата скара.
- 7) Контакт на газовия грил с химикали или повреда в резултат на влага или корозия.
- 8) Газови грилове, които са били модифицирани или отворени от неоторизиран персонал.
- 9) Счупени части/компоненти в резултат на неподходяща употреба.
- 10) Газови скари, използвани под наем.

Гаранцията покрива само безплатната подмяна на компонента, който представлява производствен дефект или повреда на материала. В случай на липса на специфицирана резервна част фирмата си запазва правото да замени газовия грил с друг съответен модел. След приключване на всички гаранционни процедури гаранционният срок на газовия грил не се удължава или подновява. Замяната на резервна част с такса за ремонт се покрива от 1-годишна гаранция за добра експлоатация, при спазване на гаранционните условия. Заменените резервни части или газови грилове остават собственост на нашата компания. Изисквания, различни от посочените в този гаранционен формуляр, относно ремонта на газови скари или повредите по тях, не се прилагат. Гръцкото законодателство и относимите разпоредби се прилагат към тази гаранция.

## GARANȚIE

RO

Grătarele cu gaz au fost fabricate în conformitate cu standardele stricte, stabilite de compania noastră, care sunt alinate la standardele de calitate europene respective. Grătarele pe gaz ale companiei noastre sunt prevăzute cu o perioadă de garanție de 24 de luni. Garanția este valabilă de la data achiziționării produsului. Dovada dreptului la garanție este documentul de cumpărare a grătarului cu gaz (chitanță de vânzare cu amănuntul sau factură). În niciun caz, societatea nu va acoperi costul corespunzător al pieselor de schimb și al orelor de lucru necesare respective dacă nu este prezentată o copie a documentului de achiziție. În cazul în care reparația trebuie efectuată de departamentul nostru de service, costul transportului (dus-întors) este suportat în întregime de expeditor (client). Grătarele cu gaz trebuie trimise pentru reparație la companie sau la un atelier autorizat în modul și cu mijloacele de transport adecvate.

### SCUTIRI ȘI RESTRIȚII DE GARANȚIE:

- 1) Piese de schimb care se uzează în mod natural ca urmare a utilizării (piese consumabile).
- 2) Grătare cu gaz deteriorate ca urmare a nerespectării instrucțiunilor producătorului.
- 3) Grătare cu gaz prost întreținute.
- 4) Utilizarea de detergenți sau accesorii necorespunzătoare.
- 5) Grătare cu gaz date în folosință gratuită unor terțe entități.
- 6) Deteriorarea sau funcționarea defectuoasă care rezultă din procedura necorespunzătoare de curățare a gazului de grătar.
- 7) Contactul grătarului cu gaz cu substanțe chimice sau deteriorarea ca urmare a umidității sau coroziunii.
- 8) Grătare cu gaz care au fost modificate sau deschise de personal neautorizat.
- 9) Părți/componente rupte ca urmare a utilizării necorespunzătoare.
- 10) Grătare cu gaz utilizate pentru închiriere.

Garanția acoperă numai înlocuirea gratuită a componentei care prezintă un defect de fabricație sau o defecțiune a materialului. În cazul lipsei unei piese de schimb specifice, societatea își rezervă dreptul de a înlocui grătarul cu gaz cu un alt model corespunzător. După încheierea tuturor procedurilor de garanție, perioada de garanție a grătarului cu gaz nu va fi prelungită sau reinnoită. Înlocuirea unei piese de schimb cu taxă de reparație este acoperită de o garanție de 1 an de bună funcționare, sub rezerva respectării condițiilor de garanție. Piesele de schimb sau grătarele cu gaz care sunt înlocuite rămân în posesia companiei noastre. Cerințele, altele decât cele menționate în acest formular de garanție, privind reparațiile sau deteriorarea grătarelor cu gaz, nu se aplică. Legislația elenă și reglementările aferente se aplică prezentei garanții.

## ГАРАНЦИЈА

NMK

Решетките за гас се изработени по строги стандарти поставени од нашата компанија, кои се усогласени со соодветните европски стандарти за квалитет. Плинските скари на нашата компанија се обезбедени со гарантен рок од 24 месеци. Гаранцијата важи од датумот на купување на производот. Доказ за гарантно право е купопродажниот документ на скарата за гас (потврда за малопродажба или фактура). Компанијата во никој случај нема да ги покрие релевантните трошоци за резервни делови и соодветното потребно работно време, освен ако не се прикаже копија од купопродажниот документ. Во случај поправка да ја изврши нашиот сервизен оддел, трошоците за превоз (до и од) целосно се на товар на испраќачот (клиентот). Решетките за гас мора да се испратат на поправка до компанијата или до овластен работилница на соодветен начин и превозно средство.

### ОСЛОБОДУВАЊА И ОГРАНИЧУВАЊА НА ГАРАНЦИЈАТА:

- 1) Резервни делови кои природно се истрошија како последица на употребата (потрошни делови).
- 2) Решетки за гас оштетени како резултат на непочитување на упатствата на производителот.
- 3) Слабо одржувани скари за гас.
- 4) Употреба на несоодветни детергенти или додатоци.
- 5) Плински скари дадени на трети лица бесплатно.
- 6) Оштетување или неисправност како резултат на неправилна процедура за чистење на гасот за скара.
- 7) Контакт на гасот за скара со хемикалии или оштетување како резултат на влага или корозија.
- 8) Решетки за гас кои се модифицирани или отворени од неовластен персонал.
- 9) Скршени делови/компоненти како резултат на несоодветна употреба.
- 10) Решетки за гас што се користат за изнајмување.

Гаранцијата покрива само бесплатна замена на компонентата што претставува производствен дефект или дефект на материјалот. Во случај на недостаток на специфичен резервен дел, компанијата го задржува правото да ја замени скарата за гас со друг соодветен модел. Откако ќе се завршат сите гарантни процедури, гарантниот рок на скарата за гас нема да се продолжува или обновува. Замената на резервниот дел со наплата за поправка е покриена со 1 година гаранција за добро работење, под услов да се почитуваат условите за гаранција. Резервните делови или плинските скари кои се заменуваат остануваат во сопственост на нашата компанија. Барањата, освен оние споменати во овој гарантен формулар, во врска со поправки или нивни оштетувања на скари за гас, не се применуваат. За оваа гаранција се применуваат грчките закони и релативните регулативи.

## GARANCIA

HUN

A gázgrilleket a vállalatunk által meghatározott szigorú szabványok szerint gyártottuk, amelyek összhangban vannak a vonatkozó európai minőségi szabványokkal. Cégünk gázgrilleire 24 hónapos garanciát vállalunk. A garancia a termék megvásárlásának napjától érvényes. A jótállási jog igazolása a gázgrill vásárlását igazoló dokumentum (kiskereskedelmi blokk vagy számla). A vállalat semmilyen körülmények között nem felel a pótalkatrészek és a megfelelő szükséges munkaórák vonatkozó költségeit, ha a vásárlási dokumentum másolatát nem mutatják be. Amennyiben a javítást szervizünknek kell elvégeznie, a szállítás (oda- és visszaszállítás) költségei teljes egészében a feladót (ügyfelet) terhelik. A gázgrilleket a megfelelő módon és szállítóeszközzel kell elküldeni javításra a vállalathoz vagy egy erre felhatalmazott műhelybe.

### GARANCIÁLIS MENTÉSSÉGEK ÉS KORLÁTOZÁSOK:

- 1) Pótalkatrészek, amelyek a használat következtében természetes módon elhasználódnak (fogyó alkatrészek).
- 2) A gyártó utasításainak be nem tartása következtében sérült gázgrillek.
- 3) Rosszul karbantartott gázgrillek.
- 4) Nem megfelelő tisztítószer vagy tartozékok használata.
- 5) Harmadik személyeknek ingyenesen átadott gázgrillek.
- 6) A gázgrill nem megfelelő tisztítási eljárásból eredő károsodás vagy meghibásodás.
- 7) A grillgáz vegyi anyagokkal való érintkezése, vagy nedvesség vagy korrózió következtében bekövetkező károsodás.
- 8) Olyan gázgrillek, amelyeket illetéktelen személyek módosítottak vagy nyitottak fel.
- 9) Nem megfelelő használat következtében eltört alkatrészek/komponensek.
- 10) Bérbeadásra használt gázgrillek.

A garancia kizárólag a gyártási hibát vagy anyaghibát jelentő alkatrész ingyenes cseréjére terjed ki. Specifikus alkatrész hiánya esetén a vállalat fenntartja a jogot, hogy a gázgrillt egy másik megfelelő modellre cserélje. Az összes garanciális eljárás lezárását követően a gázgrill garanciális ideje nem hosszabbítható meg, illetve nem újítható meg. A javítási költséggel járó pótalkatrész cseréjére 1 év jótállás vonatkozik, a jótállási feltételek betartása mellett. A kicserélt pótalkatrészek vagy gázgrillek cégünk tulajdonában maradnak. A gázgrillek javítására vagy sérülésére vonatkozó, a jelen jótállási nyilatkozatban említettéktől eltérő követelmények nem érvényesek. A jelen garanciára a görög törvények és a vonatkozó előírások vonatkoznak.

## GARANZIJA

### MLT

Il-grills tal-gass ġew manifatturati skont standards stretti, stabbilti mill-kumpanija tagħna, li huma allinjati mal-standards ta' kwalità Ewropej rispettivi. Il-grills tal-gass tal-kumpanija tagħna huma pprovduti b'perjodu ta' 'garanzija ta' 24 xahar. Il-garanzija hija valida mid-data tax-xiri tal-prodott. Prova tad-dritt tal-garanzija hija d-dokument tax-xiri tal-grill tal-gass (irċevuta jew fattura bl-imnut). Taħt l-ebda ċirkostanza l-kumpanija m'għandha tkopri l-ispiża rilevanti tal-ispare parts u l-hinjiet tax-xoghhol rispettivi meħtieġa sakemm ma tiġix ipprezentata kopja tad-dokument tax-xiri. F'każ li t-tiswija trid issir mid-dipartiment tas-servizz tagħna, l-ispiża ta' trasport (lejn u minn) tithallas għal kollox mill-mittent (il-klijent). Il-grills tal-gass għandhom jintbagħtu għat-tiswija lill-kumpanija jew lil hanut tax-xoghhol awtorizzat bil-mod u mezz ta' trasport xieraq.

#### EŻENZJONIJET U RESTRIZZJONIJET TA' GARANZIJA:

- 1) Spare parts li jintlibsu b' mod naturali bħala konsegwenza tal-użu (partijiet li jistgħu jintefqu).
- 2) Grills tal-gass bil-ħsara bħala riżultat ta' 'nuqqas ta' konformità mal-istruzzjonijiet tal-manifattur.
- 3) Grills tal-gass miżmuma hażin.
- 4) Użu ta' 'deterġenti jew aċċessorji mhux xieraq.
- 5) Gas grills mogħtija lil entitajiet terzi mingħajr hlas.
- 6) Hsara jew ħsara li tirriżulta minn proċedura ta' 'tindif mhux xieraq tal-gass tal-grill.
- 7) Kuntatt tal-gass tal-grill ma 'kimiċi, jew ħsara bħala riżultat ta' 'umdità jew korrużjoni.
- 8) Grills tal-gass li ġew modifikati jew miftuħa minn persunal mhux awtorizzat.
- 9) Partijiet/komponenti miksura bħala riżultat ta' 'użu mhux xieraq.
- 10) Gas grills użati għall-keru.

Il-garanzija tkopri biss is-sostituzzjoni bla hlas tal-komponent li jipprezenta difett fil-manifattura jew ħsara fil-materjal. F'każ ta' nuqqas ta' spare part speċifika, il-kumpanija tirriżerva d-dritt li tissostitwixxi l-grill tal-gass b' mudell korrispondenti ieħor. Wara li l-proċeduri ta' 'garanzija kollha jkunu ġew konklużi, il-perjodu ta' 'garanzija tal-grill tal-gass m'għandux jiġi estezż jew imgedded. Is-sostituzzjoni ta' 'spare part bi hlas ta' tiswija hija koperta minn garanzija ta' 'sena ta' 'thaddim tajjeb, sogġetta għal konformità mat-termini tal-garanzija. L-ispare parts jew grills tal-gass li jiġu sostitwiti jibqgħu fil-pussess tal-kumpanija tagħna. Rekwiżiti, minbarra dawk imsemmija f' din il-formola ta' 'garanzija, dwar tiswijiet ta' 'grills tal-gass jew ħsara tagħhom, ma japplikawx. Il-liġi Griega u r-regolamenti relattivi japplikaw għal din il-garanzija.

## GARANTÍA

### ES

Las parrillas de gas han sido fabricadas de acuerdo con estrictas normas, establecidas por nuestra empresa, que están alineadas con las respectivas normas de calidad europeas. Las parrillas de gas de nuestra empresa tienen una garantía de 24 meses. La garantía es válida a partir de la fecha de compra del producto. La prueba del derecho de garantía es el documento de compra de la parrilla de gas (recibo de compra o factura). La empresa no se hará cargo en ningún caso del coste correspondiente de las piezas de repuesto y de las respectivas horas de trabajo necesarias si no se presenta una copia del documento de compra. En caso de que la reparación tenga que ser realizada por nuestro departamento de servicio, el coste del transporte (ida y vuelta) correrá íntegramente a cargo del remitente (cliente). Las parrillas de gas deben enviarse para su reparación a la empresa o a un taller autorizado en la forma y medio de transporte adecuados.

#### EXENCIONES Y RESTRICCIONES DE LA GARANTÍA:

- 1) Piezas de recambio que se desgastan de forma natural como consecuencia de su uso (piezas fungibles).
- 2) Parrillas de gas dañadas como consecuencia del incumplimiento de las instrucciones del fabricante.
- 3) Parrillas de gas mal mantenidas.
- 4) Uso de detergentes o accesorios inadecuados.
- 5) Parrillas de gas cedidas gratuitamente a terceras entidades.
- 6) Daños o mal funcionamiento resultantes de un procedimiento inadecuado de limpieza del gas de la parrilla.
- 7) Contacto del gas de la parrilla con productos químicos, o daños como consecuencia de la humedad o la corrosión.
- 8) Parrillas de gas que hayan sido modificadas o abiertas por personal no autorizado.
- 9) Piezas/componentes rotos como consecuencia de un uso inadecuado.
- 10) Parrillas de gas utilizadas para alquiler.

La garantía cubre únicamente la sustitución gratuita del componente que presente un defecto de fabricación o fallo de material. En caso de falta de un recambio específico la empresa se reserva el derecho de sustituir la parrilla de gas por otro modelo correspondiente. Una vez concluidos todos los procedimientos de garantía, el periodo de garantía de la parrilla de gas no se ampliará ni renovará. La sustitución de una pieza de recambio con cargo de reparación está cubierta por una garantía de 1 año de buen funcionamiento, siempre que se cumplan las condiciones de la garantía. Las piezas de recambio o las parrillas de gas sustituidas permanecen en posesión de nuestra empresa. No se aplicarán otros requisitos que los mencionados en este formulario de garantía, en relación con las reparaciones o daños de las parrillas de gas. Esta garantía está sujeta a la legislación griega y a la normativa correspondiente.

## GARANCIJE

### HR

Plinski roštilji proizvedeni su prema strogim standardima koje postavlja naša tvrtka, a koji su usklađeni s odgovarajućim europskim standardima kvalitete. Plinski roštilji naše tvrtke imaju jamstvo od 24 mjeseca. Jamstvo vrijedi od datuma kupnje proizvoda. Dokaz prava iz jamstva je dokument o kupnji plinskog roštilja (maloprodajni račun ili račun). Ni pod kojim okolnostima tvrtka neće pokriti relevantne troškove rezervnih dijelova i odgovarajućih potrebnih radnih sati osim ako se ne predoči kopija dokumenta o kupnji. U slučaju da popravak mora obaviti naš servis, troškove prijevoza (do i od) u cijelosti snosi pošiljatelj (klijent). Plinske roštilje potrebno je poslati na popravak u poduzeće ili u ovlaštenu servis odgovarajućim načinom i prijevoznim sredstvom.

#### IZUZETA I OGRANIČENJA JAMSTVA:

- 1) Rezervni dijelovi koji se prirodno troše kao posljedica korištenja (potrošni dijelovi).
- 2) Plinski roštilji oštećeni zbog nepridržavanja uputa proizvođača.
- 3) Plinski roštilji loše održavani.
- 4) Korištenje neodgovarajućih deterdženata ili dodataka.
- 5) Plinski roštilji ustupljeni trećim osobama bez naknade.
- 6) Oštećenje ili neispravnost uzrokovana nepravilnim postupkom čišćenja plina za roštilj.
- 7) Kontakt plina za roštilj s kemikalijama ili oštećenja uslijed vlage ili korozije.
- 8) Plinski roštilji koje je modificirala ili otvorila neovlaštena osoba.
- 9) Slomljeni dijelovi/komponente kao rezultat neprikladne uporabe.
- 10) Plinski roštilji korišteni za iznajmljivanje.

Jamstvo pokriva samo besplatnu zamjenu komponente koja predstavlja grešku u proizvodnji ili grešku u materijalu. U slučaju nedostatka određenog rezervnog dijela tvrtka zadržava pravo zamjene plinskog roštilja drugim odgovarajućim modelom. Nakon završetka svih jamstvenih postupaka, jamstveni rok plinskog roštilja ne može se produžiti niti obnoviti. Zamjena rezervnog dijela uz naknadu za popravak pokrivena je 1-godišnjim jamstvom dobrog rada, podložno poštivanju uvjeta jamstva. Zamijenjeni rezervni dijelovi ili plinski roštilji ostanu u vlasništvu naše tvrtke. Zahtjevi, osim onih navedenih u ovom obrascu jamstva, koji se odnose na popravke ili oštećenja plinskih roštilja, ne vrijede. Grčki zakon i odgovarajući propisi vrijede za ovo jamstvo.

## GWARANCJA

### PL

Grille gazowe zostały wyprodukowane zgodnie z rygorystycznymi normami ustalonymi przez naszą firmę, które są zgodne z odpowiednimi europejskimi normami jakości. Grille gazowe naszej firmy są objęte 24-miesięcznym okresem gwarancyjnym. Gwarancja jest ważna od daty zakupu produktu. Dowodem prawa do gwarancji jest dokument zakupu grilla gazowego (paragon lub faktura). W żadnym wypadku firma nie pokryje odpowiednich kosztów zamiennych i wymaganych godzin pracy, jeśli nie zostanie przedstawiona kopia dokumentu zakupu. W przypadku, gdy naprawa musi zostać wykonana przez nasz dział serwisowy, koszt transportu (do i z) jest w całości ponoszony przez nadawcę (klienta). Grille gazowe muszą być wysyłane do naprawy do firmy lub autoryzowanego warsztatu w odpowiedni sposób i środkami transportu.

#### WYŁĄCZENIA I OGRANICZENIA GWARANCJI:

- 1) Części zamienne, które ulegają naturalnemu zużyciu w wyniku użytkowania (części zużywalne).
- 2) Grille gazowe uszkodzone w wyniku nieprzestrzegania instrukcji producenta.
- 3) Grille gazowe niewłaściwie konserwowane.
- 4) Używanie niewłaściwych detergentów lub akcesoriów.
- 5) Grille gazowe przekazane nieodpłatnie osobom trzecim.
- 6) Uszkodzenia lub usterki wynikające z niewłaściwej procedury czyszczenia grilla gazowego.
- 7) Kontakt gazu z grilla z chemikaliami lub uszkodzenie w wyniku wilgoci lub korozji.
- 8) Grille gazowe, które zostały zmodyfikowane lub otwarte przez nieupoważniony personel.
- 9) Uszkodzone części/elementy w wyniku niewłaściwego użytkowania.
- 10) Grille gazowe używane do wynajmu.

Gwarancja obejmuje wyłącznie bezpłatną wymianę elementu, który wykazuje wadę produkcyjną lub awarię materiałową. W przypadku braku określonej części zamiennej firma zastrzega sobie prawo do wymiany kuchenki gazowej na inny odpowiedni model. Po zakończeniu wszystkich procedur gwarancyjnych okres gwarancji na kuchenkę gazową nie zostanie przedłużony ani odnowiony. Wymiana części zamiennej za opłatą za naprawę jest objęta roczną gwarancją dobrego działania, pod warunkiem przestrzegania warunków gwarancji. Wymienione części zamienne lub kuchenki gazowe pozostają w posiadaniu naszej firmy. Wymagania inne niż wymienione w niniejszym formularzu gwarancyjnym, dotyczące naprawy lub uszkodzenia kuchenki gazowej, nie mają zastosowania. Do niniejszej gwarancji mają zastosowanie przepisy prawa greckiego i przepisy pokrewne.



The instructions manual is also available in digital format on our website  
[www.nikolaoutools.com](http://www.nikolaoutools.com). Find it by entering the product code in the Search "Q" field.

Μπορείτε να βρείτε τις οδηγίες χρήσης και σε ηλεκτρονική μορφή μέσω της ιστοσελίδας μας  
[www.nikolaoutools.com](http://www.nikolaoutools.com). Αναζητήστε τις με τον κωδικό προϊόντος στο πεδίο Αναζήτηση "Q".