

BORMANN[®]

Technik



ΒΑΤ1212 | Αερόκλειδο

GR

Μετάφραση του πρωτοτύπου των οδηγιών χρήσης

GB

Owner's manual

www.BormannTools.com



Τεχνικά Χαρακτηριστικά

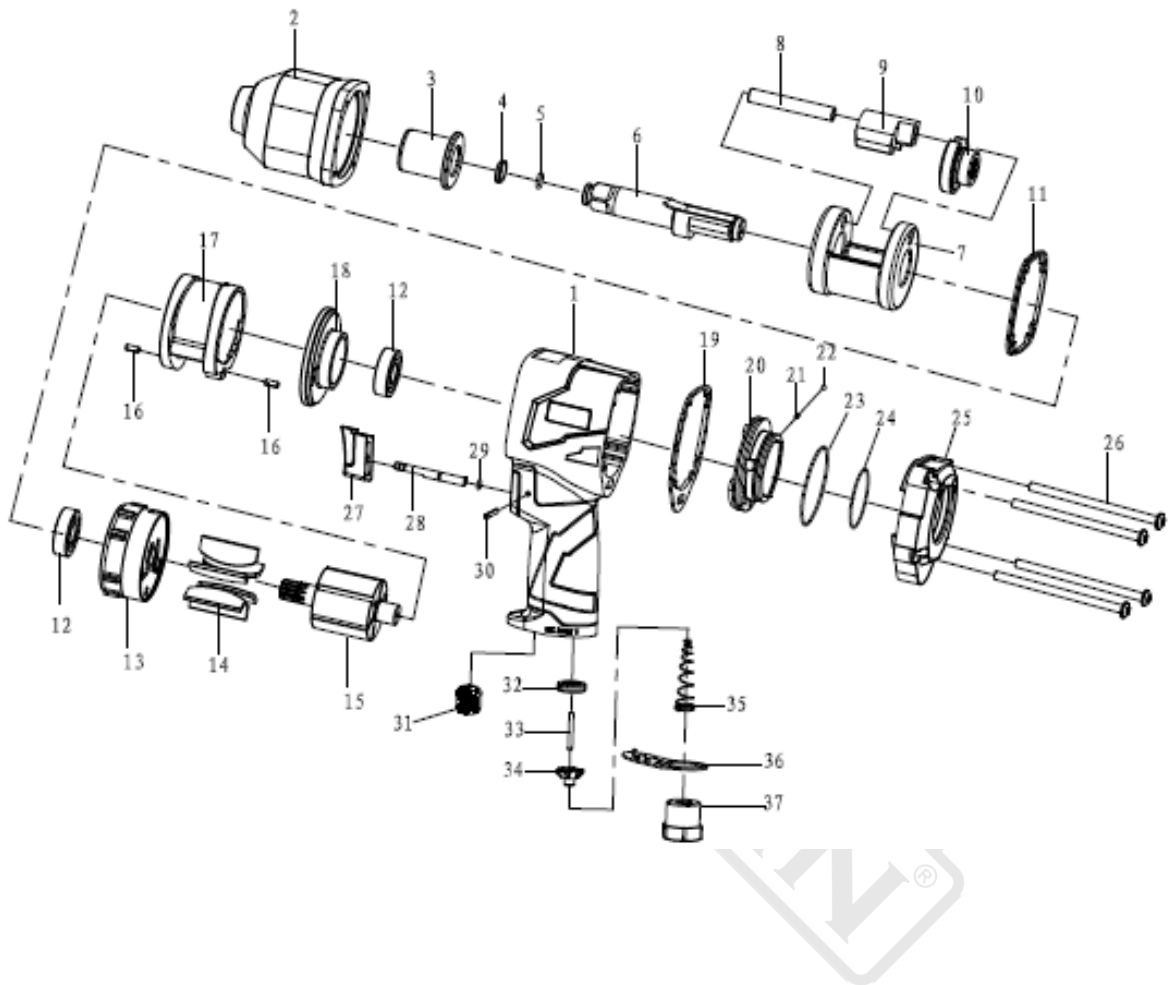
Υποδοχή: 1/2" (68mm)

Ταχύτητα: 7500rpm

Μέγιστη Ροπή: 340Nm

Είσοδος Αέρος: 1/4"

Πίεση Εργασίας: 90 Psi



Ref.	Part#	Description	Q'TY	Ref.	Part#	Description	Q'TY
1	WFI-1170-01	HOUSING	1	20	WFI-1170-08	Adjustment Knob	1
2	WFI-1170-02	Front Housing	1	21	WFI-1170-11	spring	1
3	WFI-1070-11	Oily Bushing	1	22	GB/T 308-2002_3.0	Steel Ball	1
4	WFI-1070-12	Anti-off Circle	1	23	GB/T3452.1-1992 49*1.8	O-Ring	1
5	GB/T3452.1-1992 6*1.8	O-Ring	1	24	GB/T3452.1-1992 35.5*1.8	O-Ring	1
6	WFI-1070-13	Driving Shaft	1	25	WFI-1170-09	Cap	1
7	WFI-1070-14	Hammer Cage	1	26	WFI-1170-12	Screw	4
8	WFI-1070-15	Pin	1	27	WFI-1170-10	Trigger	1
9	WFI-1070-16	Hammer Dog	1	28	WFI-5070-03	Pin	1
10	WFI-1070-17	Cam	1	29	JB/T6659-1993 2*1.5	O-Ring	1
11	WFI-1170-03	Front Gasket	1	30	GB/T879.2-2000 2.5*24	Straight pin	1
12	GB/T276-1994 6001-2Z	Bearing	2	31	WFS-1038A-24	muffle cotton	1
13	WFI-1170-04	Front Cylinder Head	1	32	WFI-3071-04	Eye ring	1
14	WFI-1070-19	Blade	6	33	WFI-5070-08	Valve pole	1
15	WFI-1070-20	Rotor	1	34	WFI-3071-06	Valve	1
16	GB/T879.2-2000 3*8	Straight pin	2	35	WFI-3071-07	Spring	1
17	WFI-1170-05	Cylinder	1	36	WFI-2070-10	Muffle Cover	1
18	WFI-1170-06	Back Cylinder Head	1	37	WFI-3071-08	Air inlet connector	1
19	WFI-1170-07	Rear Gasket	1				



BORMANN



DISPOSE OF
PACKAGING
RESPONSIBLY



DO NOT DISPOSE
OF ELECTRICAL GOODS
IN HOUSEHOLD WASTE